

unidirectional motor - series XV

XV-OU

BH TYPE MOTOR
Ø22 BODY-SHAPED FLANGE - MILLED SHANK

X 0 U 06 12 B B B A

| | | |
|--------------|-----|---------------------------------|
| Series | X | series XV |
| Group | 0 | group 0 |
| Category | U | unidirectional motor |
| Displacement | 06 | 0.76 |
| Flange | 12 | Ø22 BH right rotation |
| Shaft | B | CF001 - Milled shank ø7 - thk.5 |
| Body | IN | inlet - 1/4" GAS |
| | OUT | outlet - 1/4" GAS |
| Cover | A | standard |



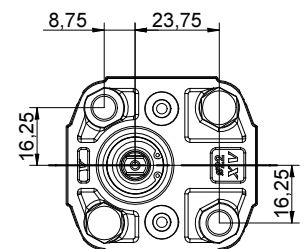
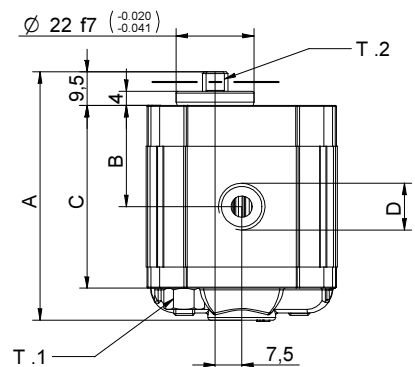
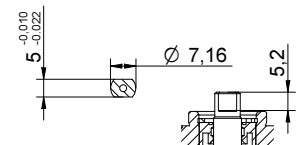
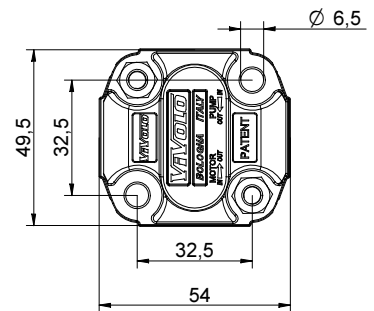
XU012

Technical data table

| TYPE | Displacement cm3/rev | Max. Pressure | | CODE | |
|------------|-------------------------|---------------|--------|---------------------|---------------------|
| | | P1 bar | P3 bar | Left rotation | Right rotation |
| XV-OU/0.45 | 0,45 | 220 | 280 | X 0 U 04 11 B B B A | X 0 U 04 12 B B B A |
| XV-OU/0.57 | 0,56 | 220 | 280 | X 0 U 05 11 B B B A | X 0 U 05 12 B B B A |
| XV-OU/0.76 | 0,75 | 200 | 260 | X 0 U 06 11 B B B A | X 0 U 06 12 B B B A |
| XV-OU/0.98 | 0,92 | 200 | 260 | X 0 U 07 11 B B B A | X 0 U 07 12 B B B A |
| XV-OU/1.27 | 1,26 | 200 | 260 | X 0 U 09 11 B B B A | X 0 U 09 12 B B B A |
| XV-OU/1.52 | 1,48 | 200 | 260 | X 0 U 11 11 B B B A | X 0 U 11 12 B B B A |
| XV-OU/2.30 | 2,28 | 160 | 190 | X 0 U 13 11 B B B A | X 0 U 13 12 B B B A |

P1) Max. working pressure - P3) Max. peak pressure

For heavy-duty applications, it is recommended to check the admissible torque of the shaft



| TYPE | Weight kg | Dimensions table | | | | |
|------------|--------------|------------------|---------|---------|-----------|-----------|
| | | A mm | B mm | C mm | D IN | D OUT |
| XV-OU/0.45 | 0,420 | 58,0 | 27,3 | 49,0 | 1/4" BSPP | 1/4" BSPP |
| XV-OU/0.57 | 0,430 | 59,0 | 27,8 | 50,0 | 1/4" BSPP | 1/4" BSPP |
| XV-OU/0.76 | 0,440 | 60,5 | 28,5 | 51,5 | 1/4" BSPP | 1/4" BSPP |
| XV-OU/0.98 | 0,460 | 62,0 | 29,3 | 53,0 | 1/4" BSPP | 1/4" BSPP |
| XV-OU/1.27 | 0,480 | 64,5 | 30,5 | 55,5 | 1/4" BSPP | 1/4" BSPP |
| XV-OU/1.52 | 0,500 | 66,5 | 31,5 | 57,5 | 1/4" BSPP | 1/4" BSPP |
| XV-OU/2.30 | 0,560 | 72,5 | 34,5 | 63,5 | 1/4" BSPP | 1/4" BSPP |

T.1 = 11.7±13.7 [Nm] - screw tightening torque M6

T.2 = 9.2 [Nm] - admissible shaft torque (N.B. When choosing a shaft, always check the admissible torque).

07/12/04 X0P061288BA.dft

Table of variations

XV-OU

ø22 "BH" Body-Shaped FLANGE

| ø22 "BH" Body-Shaped FLANGE | | | | Shaft | | | | Cover | | | |
|-----------------------------|----|----------------|----|--|---|--|---|-----------------------|--|----------------|---|
| Left rotation | | Right rotation | | | | | | Left rotation | | Right rotation | |
| | 11 | | 12 | CI001 - Parallel T.2 = 2.1 [Nm] | A | CF001 - Milled shank T.2 = 9.2 [Nm] | B | | | | A |
| | 13 | | 14 | CF005 - Milled shank T.2 = 8.4 [Nm] | F | CO001 - Tapered T.2 = 21.9 [Nm] | E | | | | B |
| | 15 | | 16 | | | | | | | | C |
| | 17 | | 18 | | | | | | | | D |
| | | | | | | | | Internal drainage | | | |
| | | | | | | | | External drainage | | | |

| Displacement | | Standard bodies | | | | |
|--------------|------|-----------------------------------|------------------|-------|-------|--|
| TYPE | CODE | Displacement cm ³ /rev | Standard threads | | | |
| XV-OU/0.45 | 04 | 0.17 | B - B | Z - B | Z - Z | |
| XV-OU/0.57 | 05 | 0.25 | B - B | Z - B | Z - Z | |
| XV-OU/0.76 | 06 | 0.45 | B - B | Z - B | Z - Z | |
| XV-OU/0.98 | 07 | 0.57 | B - B | Z - B | Z - Z | |
| XV-OU/1.27 | 09 | 0.76 | B - B | Z - B | Z - Z | |
| XV-OU/1.52 | 11 | 0.98 | B - B | Z - B | Z - Z | |
| XV-OU/2.30 | 13 | 1.27 | B - B | Z - B | Z - Z | |
| | | 1.52 | B - B | Z - B | Z - Z | |
| | | 2.30 | B - B | Z - B | Z - Z | |

Table showing standard flange and thread combinations available in stock

| Body (threads/flanges) | | | | | | | | | | | | | |
|------------------------|---|--|---|-------------|---|---|---|--|---|--|---|--|---|
| | A | | B | | C | | D | | E | | F | | G |
| | H | | I | Closed Body | | Z | | | | | | | |