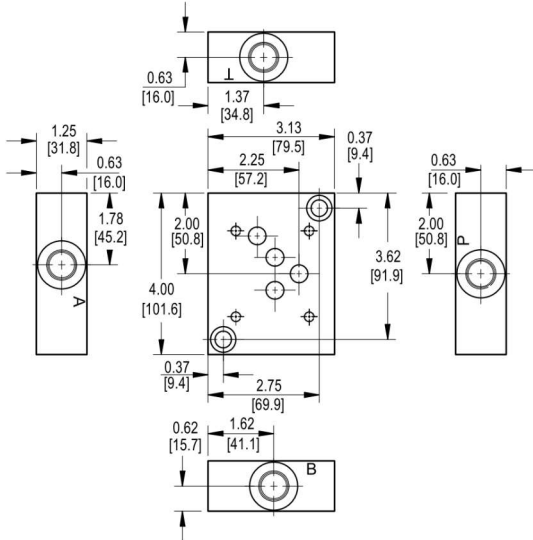




# D05 Subplates

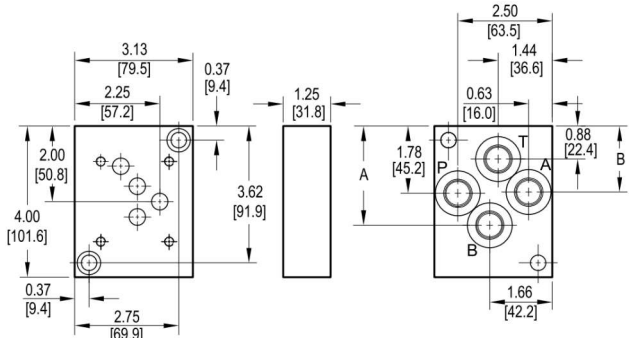
## Side Ported Subplate

Valve mtg: UNC 0.25-20 x 0.75 DP or Metric M6-1.0mm ISO 6H x [19.1] DP  
 Subplate hardware kit is supplied.



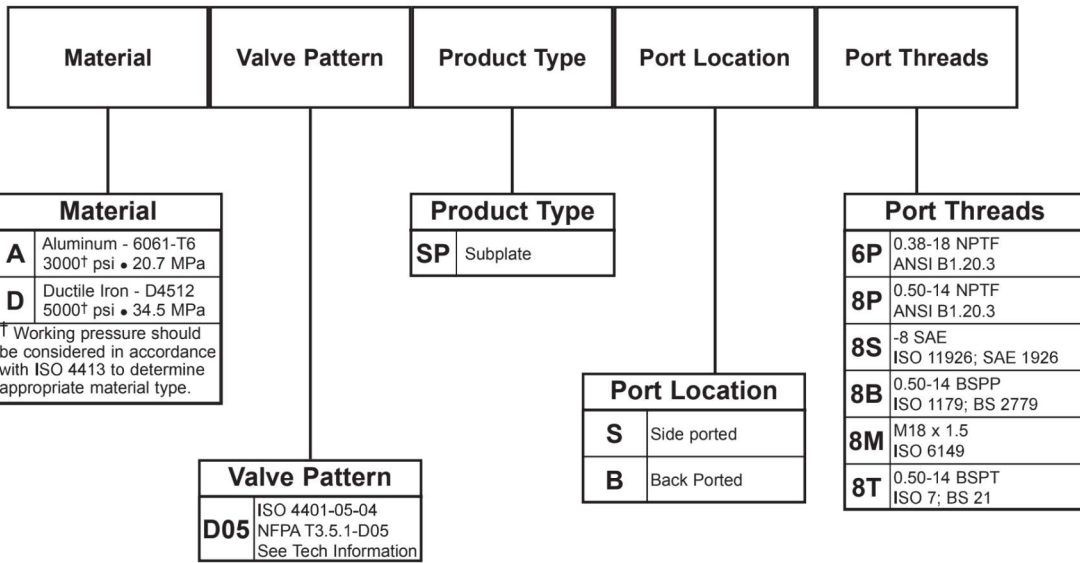
## Back Ported Subplate

Valve mtg: UNC 0.25-20 x 0.75 DP or Metric M6-1.0mm ISO 6H x [19.1] DP  
 Subplate hardware kit is supplied.



Dimension	A	B
*D05SPB6P	2.63 [66.8]	1.75 [44.5]
*D05SPB8B	2.94 [74.6]	2.00 [50.8]
*D05SPB8[M,P,S,T]	2.63 [66.8]	1.75 [44.5]

# Ordering Information



In order to constantly improve the quality of our products, we retain the right to make changes to the products and specifications at any time without prior notice.

Customers have the responsibility continuously check all the information on all data sheets.