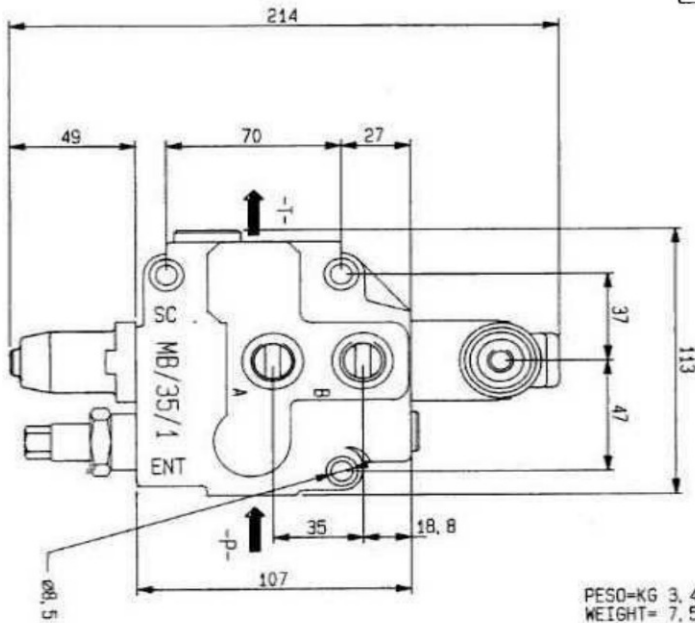
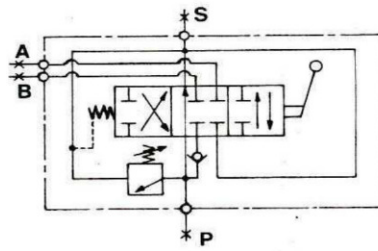


<b>MAX FLOW</b>	<b>60 LIT/MIN</b>
<b>MAX PRESSURE</b>	<b>350 BAR</b>
<b>BACK PRESSURE</b>	<b>80 BAR</b>
<b>LEAKAGE TO 100 BAR</b>	<b>1CC/MIN</b>
<b>WEIGHT</b>	<b>KG. 3,4</b>
<b>CONFIGURATION</b>	<b>PARALLEL</b>

### STANDARD CONFIGURATION



PESO=KG 3,4  
WEIGHT= 7,5 POUNDS

### STANDARD THREADS BSP GAS

Attacco	Dimens.	Dimens Spec
P	3/8"	1/2"
P sup	3/8"	1/2"
A/B	3/8"	1/2"
T	1/2"	1/2"
T sup	1/2"	1/2"