

FULL RANGE PRESSURE COMPENSATING VARIABLE FLOW CONTROL VALVE (FC)

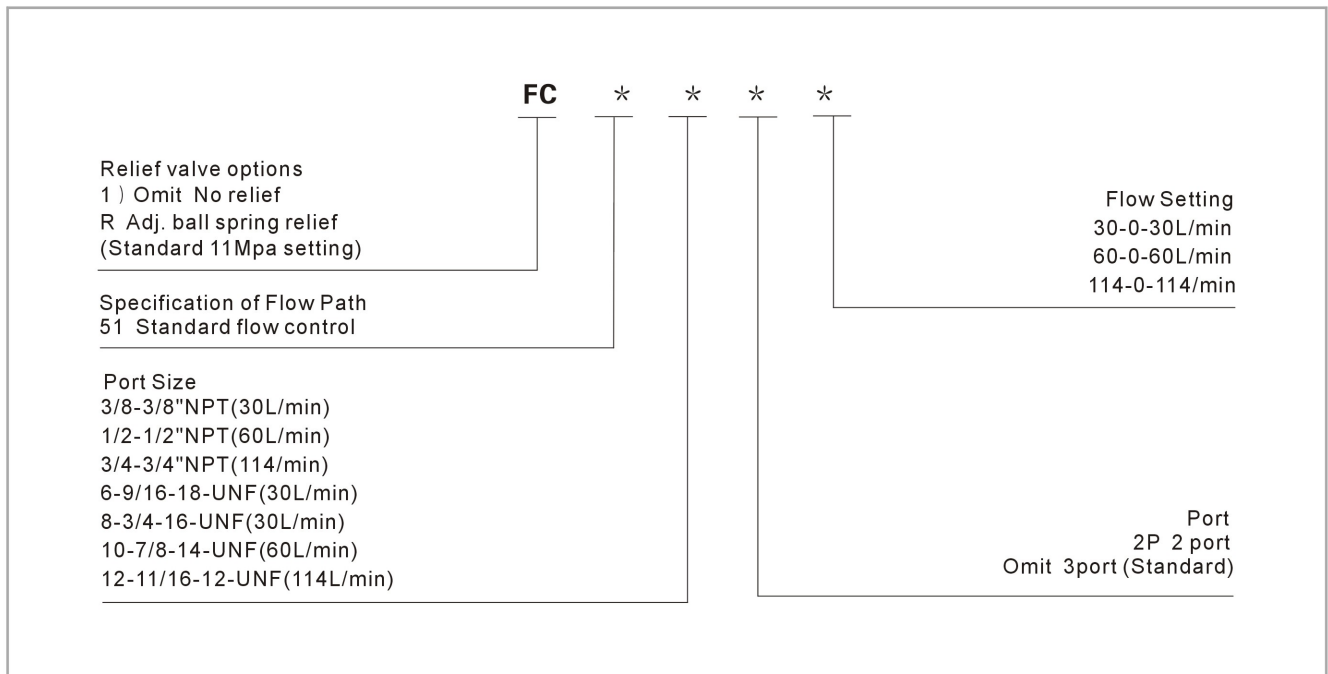
Technical specification



Function Instruction

In order to vary the flow of fluid, the full range pressure compensating variable flow control valve is designed so that the orifice area varies as the lever is rotated. It has compensator spool inside the valve body. No matter how the pressure varies, that is, no matter the orifice area varies from closed to open, the outlet flows will be constant and stable.

Model description



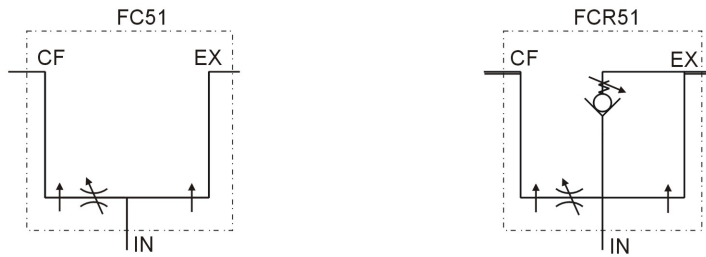
Instruction:

1) The adjustable ball spring relief valve (R) allow the customer pressure compensated flow up to the pressure setting on the relief. Once the pressure on the CF port increases above the relief setting, the relief valve opens and diverts flow to the EX port while maintaining the pressure on the CF port.
The EX port must be plumbed back to tank. The relief option is preset to 11Mpa (110 bar) , standard, and field adjustable from 0.5Mpa (5 bar) to 20Mpa (200 bar).

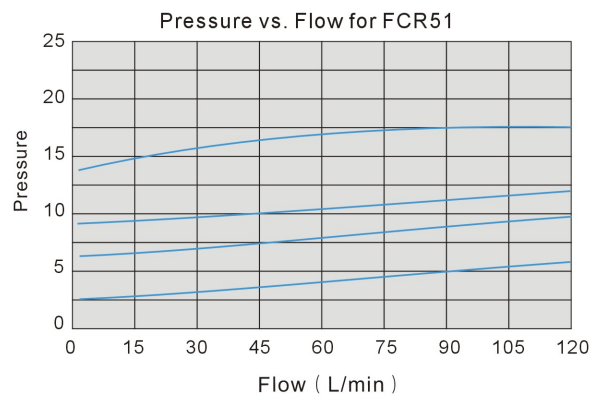
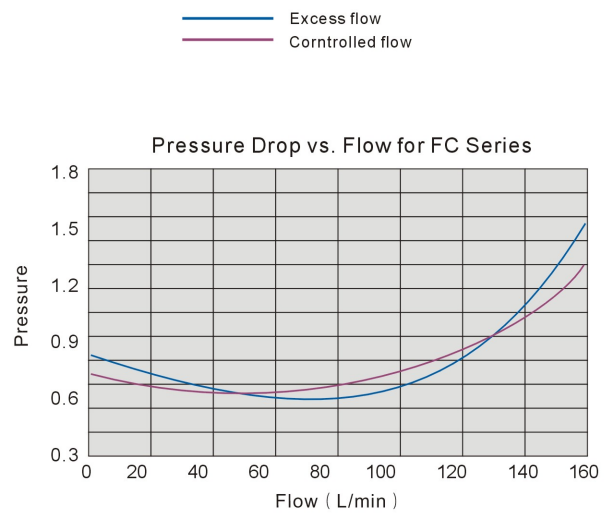
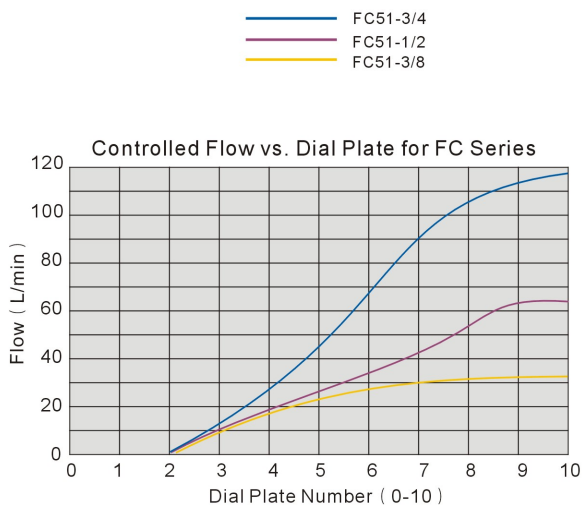
Features:

Diamond honed spool bore provides consistent spool fit with low leakage.
Every FC is tested for shutoff, max. flow, and pressure compensation;
Standard 3-port allows for pressure compensated flow out of two ports;
Standard thread compensator plugs to eliminate external leakage from the compensator bore;
External seals on rotary spool prevents contamination from locking up spool.

Code symbol

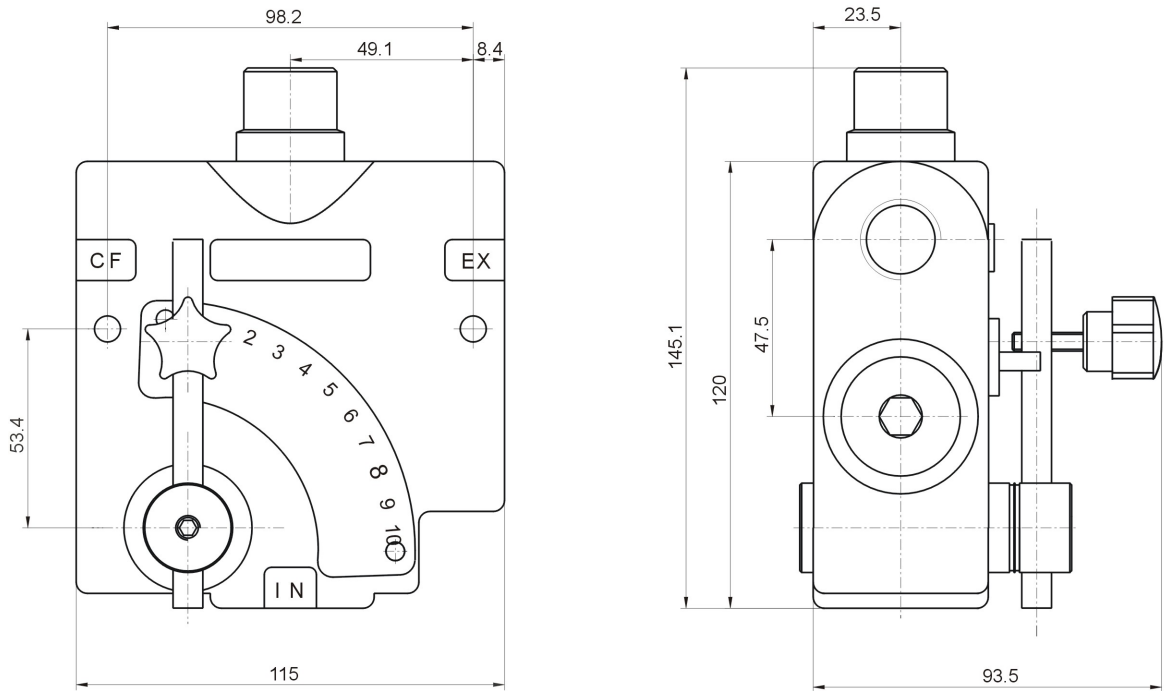


Performance Curve



FULL RANGE PRESSURE COMPENSATING VARIABLE FLOW CONTROL VALVE (FC)

Dimensional Data



N.13.6.3