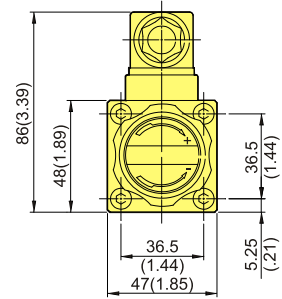
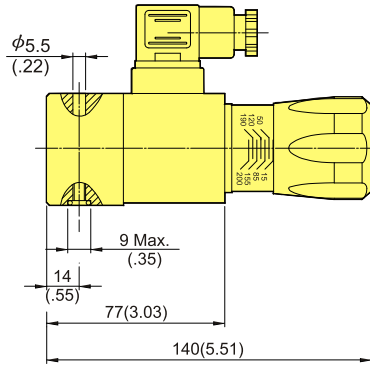
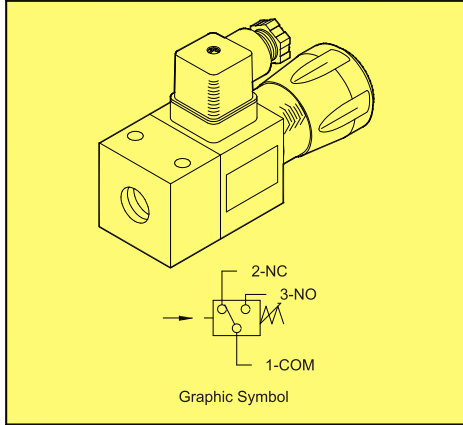


DNL Series Pressure Switches



Ordering Code

DNL - 100K - 21B

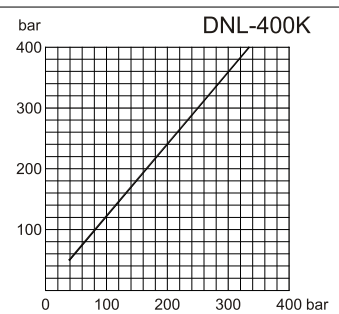
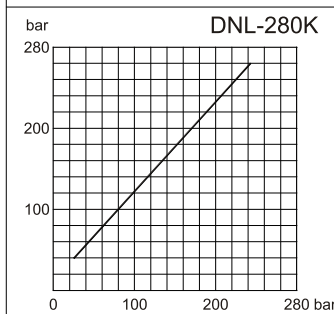
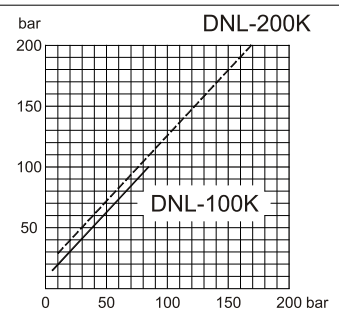
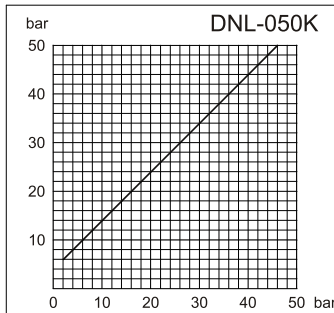
① ② ③

- ① Series
DNL- Direct read-out,
Heavy-duty micro-switch.
- ② Pressure Adj. Range

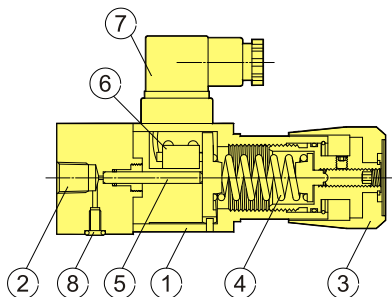
Model	Pres Adj. Range	Surge Pres.	Weight
	bar		
050K	6~ 50	200	1.0
100K	15~100	300	1.0
200K	30~200	300	1.0
280K	40~280	350	1.0
400K	50~400	450	1.0

- ③ Design Number
21B:1/4"PT(Rc)
21B80:1/4"PF(G)
21B90:1/4"NPT

Hysteresis Diagrammes



Schematic Cross-Section



No.	Part Name
1	Body(Casting-Iron)
2	Connection Port 1/4"PT(Rc)
3	Pressure Adj. Knob
4	Spring
5	Servo-Piston
6	Micro-Switch
7	Electrical Connector
8	O-ring P6(M5XP0.8) Sub-Plate Mounting