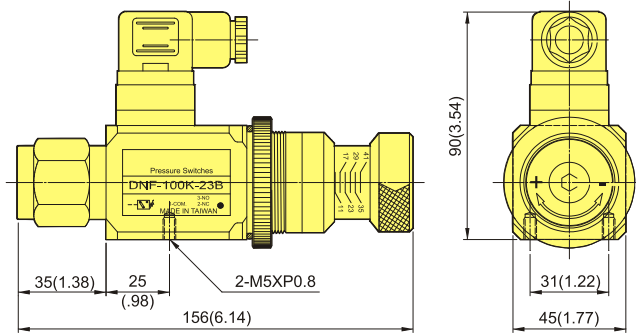
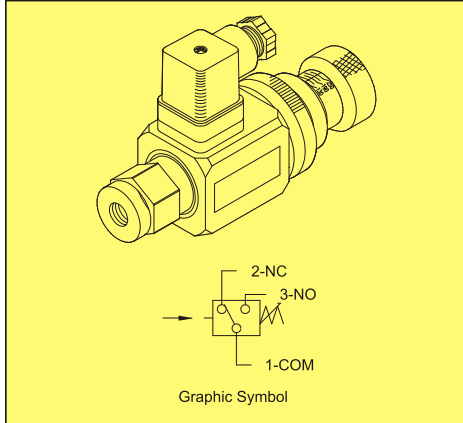


DNF Series Pressure Switches



Ordering Code

DNF - 100K - 30B

① ② ③

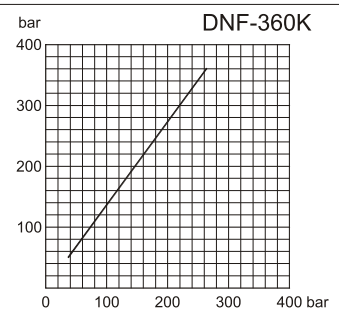
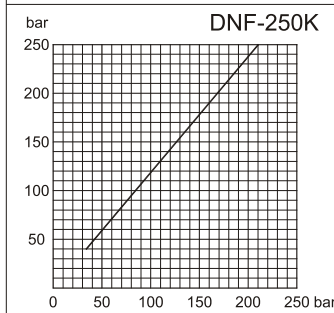
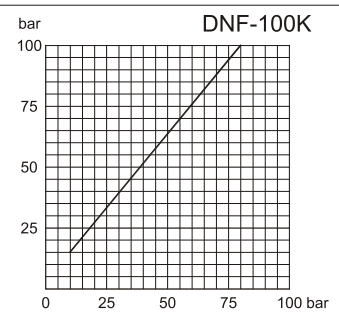
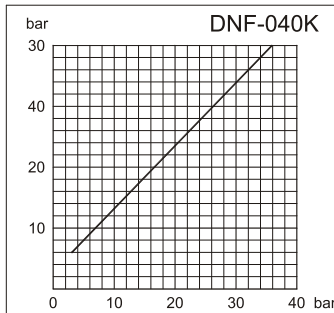
① Series
DNF-
Direct read-out,
Panel mounting type.

② Pressure Adj. Range

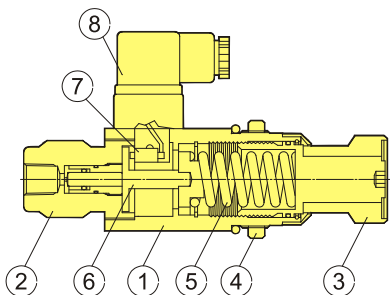
Model	Pres Adj. Range bar	Surge Pres. bar	Weight kg
040K	6~ 40	200	1.2
100K	15~100	350	1.2
250K	40~250	350	1.2
360K	50~360	400	1.2

③ Design Number
30B: 1/4"PT(Rc)
30B80: 1/4"PF(G)
30B90: 1/4"NPT

Hysteresis Diagrammes



Schematic Cross-Section



No.	Description
1	Body(Casting-Iron)
2	Connection Port 1/4"PT(Rc)
3	Pressure Adj. Knob
4	Knob Set Screw
5	Spring
6	Servo-Piston
7	Micro-Switch
8	Electrical Connector