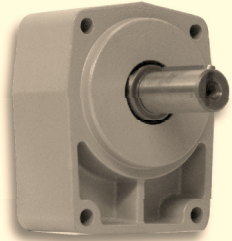
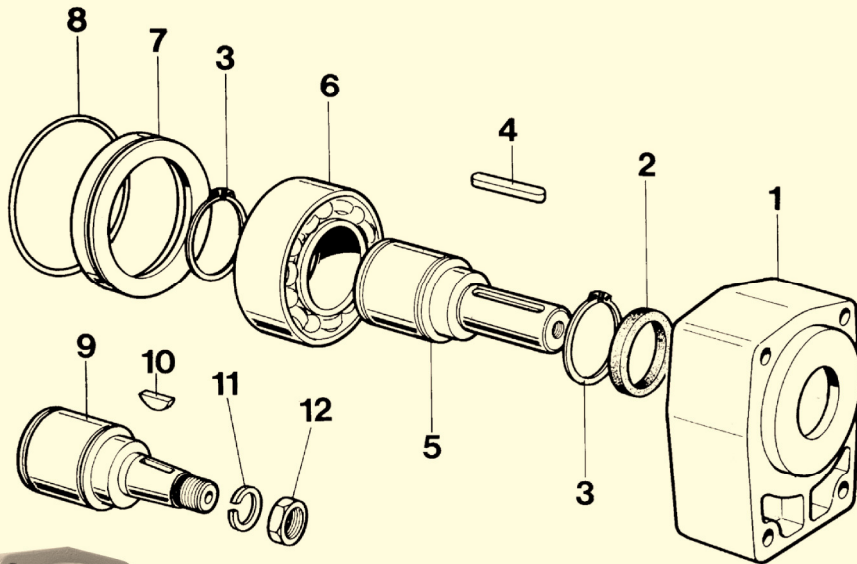


SERIE: 25406/25606



Pos.	CODICE	DENOMINAZIONE	DENOMINATION	DESCRIPTION	BEZEICHNUNG	Q.TA'
1	25006.1	Scatola	Carcasse	Housing	Gehäuse	1
2	303040	Anello di tenuta 30x40x7	Bague d'étanchéité 30x40x7	Sealing Ring 30x40x7	Dichtring 30x40x7	1
3	904000	Anello seeger UNI 7435 - 40	Circlip UNI 7435 - 40	Snap ring UNI 7435 - 40	Seegerring UNI 7435 - 40	2
4	426640	Chiavetta 6x6x40 UNI 6604	Clavette 6x6x40 UNI 6604	Key 6x6x40 UNI 6604	Keil 6x6x40 UNI 6604	1
5	AC22/R	Albero D=22	Arbre d=22	Female d=22	Antriebsw d=22	1
6	503208	Cuscinetto 3208A	Palier 3208A	Bearing 3208A	Kugellager 3208A	1
7	COP088	Anello d=88	Bague d=88	Ring d=88	Ring d=88	1
8	418025	Anello OR 80x2.5	Bague torique 80x2.5	O-Ring 80x2.5	O-Ring 80x2.5	2
9	ACO2/B	Albero conico	Arbre	Female	Antriebsw	1
10	700465	Chiavetta 4x6.5x16 UNI 6606	Clavette 4x6.5x16 UNI 6606	Key 4x6.5x16 UNI 6606	Keil 4x6.5x16 UNI 6606	1
11	801400	Rondella Grower d.14	Rondelle Grower d.14	Wascher Grower d.14	Rosette Grower d.14	1
12	601415	Dado UNI 28675 M14x1.5	Ecrous UNI 28675 M14x1.5	Nut UNI 28675 M14x1.5	Mutter UNI 28675 M14x1.5	1

