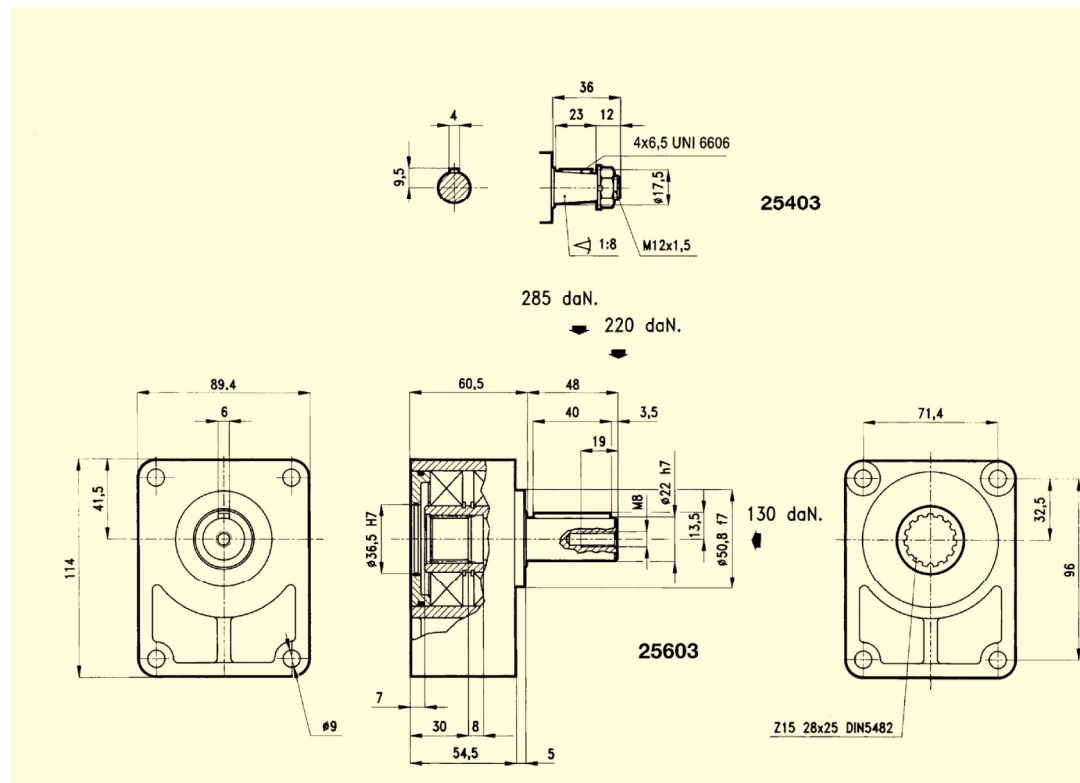
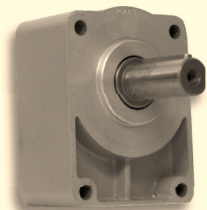
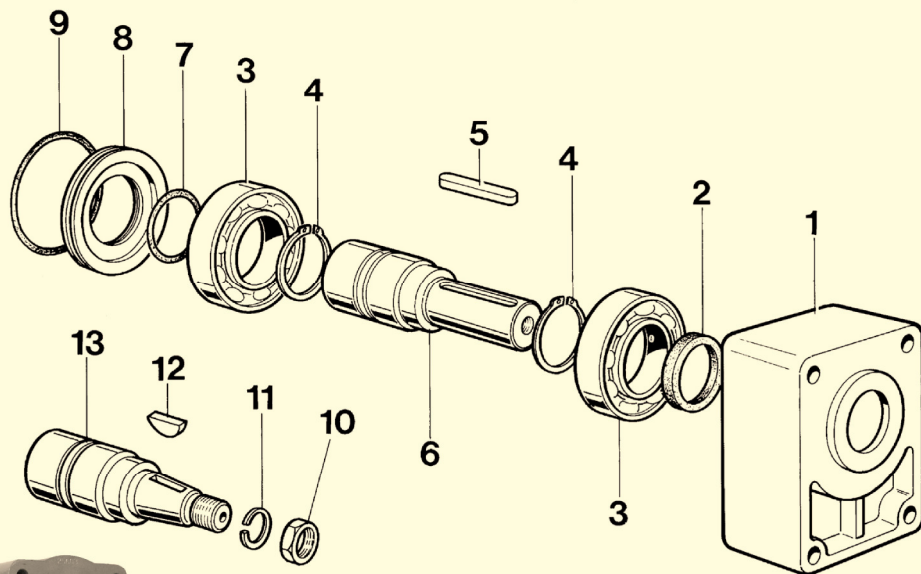


SERIE: 25403/25603



| Pos. | CODICE | DENOMINAZIONE | DENOMINATION | DESCRIPTION | BEZEICHNUNG | Q.TA' |
|------|-----------|-----------------------------|----------------------------|-------------------------|--------------------------|-------|
| 1 | 25003.1 | Scatola | Carcasse | Housing | Gehäuse | 1 |
| 2 | 303040 | Anello di tenuta 30x40x7 | Bague d'étanchéité 30x40x7 | Sealing Ring 30x40x7 | Dichtring 30x40x7 | 1 |
| 3 | 506207 | Cuscinetto 6207A | Pallier 6207A | Bearing 6207A | Kugellager 6207A | 2 |
| 4 | 903500 | Anello seeger UNI 7435 - 35 | Circlip UNI 7435 - 35 | Snap ring UNI 7435 - 35 | Seegerring UNI 7435 - 35 | 2 |
| 5 | 426640 | Chiavetta 6x6x40 UNI 6604 | Clavette 6x6x40 UNI 6604 | Key 6x6x40 UNI 6604 | Keil 6x6x40 UNI 6604 | 1 |
| 6 | AC22/R2 | Albero D=22 | Arbre d=22 | Female d=22 | Antriebsw d=22 | 1 |
| 7 | 403143 | Anello OR 3143 | Bague torique 3143 | O-Ring 3143 | O-Ring 3143 | 1 |
| 8 | 25002/C.1 | Anello d=72 | Bague d=72 | Ring d=72 | Ring d=72 | 1 |
| 9 | 403262 | Anello OR 3262 | Bague torique OR 3262 | O-Ring 3262 | O-Ring 3262 | 1 |
| 10 | 601215 | Dado UNI 28675 M12x1.5 | Ecrous UNI 28675 M12x1.5 | Nut UNI 28675 M12x1.5 | Mutter UNI 28675 M12x1.5 | 1 |
| 11 | 801200 | Rondella Grower d.12 | Rondelle Grower d.12 | Wascher Grower d.12 | Rosette Grower d.12 | 1 |
| 12 | 700465 | Chiavetta 3.2x6.5 UNI 6606 | Clavette 3.2x6.5 UNI 6606 | Key 3.2x6.5 UNI 6606 | Keil 3.2x6.5 UNI 6606 | 1 |
| 13 | ACO2/R2 | Albero conico | Arbre | Female | Antriebsw | 1 |