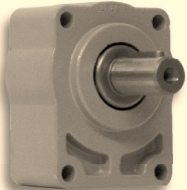
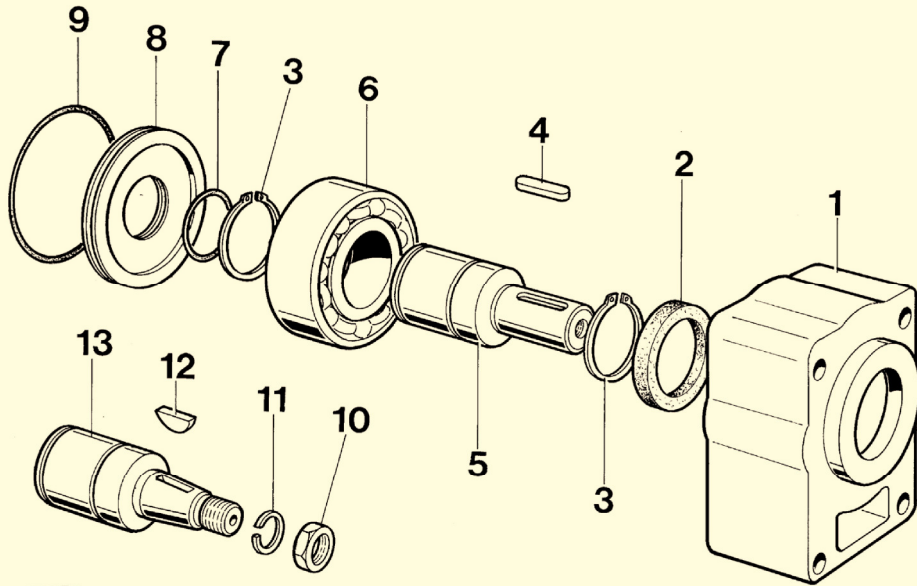
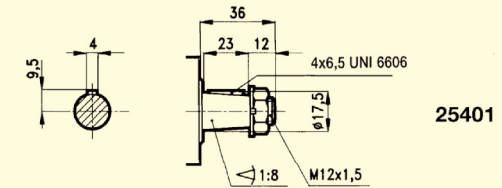


SERIE: 25401/25601



Pos.	CODICE	DENOMINAZIONE	DENOMINATION	DESCRIPTION	BEZEICHNUNG	Q.TA'
1	25001.1	Scatola	Carcasse	Housing	Gehäuse	1
2	303040	Anello di tenuta 30x40x7	Bague d'étanchéité 30x40x7	Sealing Ring 30x40x7	Dichtring 30x40x7	1
3	903000	Anello seeger UNI 7435 - 30	Circlip UNI 7435 - 30	Snap ring UNI 7435 - 30	Seegerring UNI 7435 - 30	2
4	426625	Chiavetta 6x6x25 UNI 6604	Clavette 6x6x25 UNI 6604	Key 6x6x25 UNI 6604	Keil 6x6x25 UNI 6604	1
5	AC18.1	Albero D=18	Arbre d=18	Female d=18	Antriebsw d=18	1
6	503206	Cuscinetto 3206A	Palier 3206A	Bearing 3206A	Kugellager 3206A	1
7	402100	Anello OR 2100	Bague torique 2100	O-Ring 2100	O-Ring 2100	1
8	COP062	Anello d=62	Bague d=62	Ring d=62	Ring d=62	1
9	403225	Anello OR 3225	Bague torique OR3225	O-Ring 3225	O-Ring 3225	1
10	601215	Dado UNI 28675 M12x1.5	Ecrous UNI 28675 M12x1.5	Nut UNI 28675 M12x1.5	Mutter UNI 28675 M12x1.5	1
11	801200	Rondella Grower d.12	Rondelle Grower d.12	Wascher Grower d.12	Rosette Grower d.12	1
12	700465	Chiavetta 4x6.5 UNI 6606	Clavette 4x6.5 UNI 6606	Key 4x6.5 UNI 6606	Keil 4x6.5 UNI 6606	1
13	ACO1	Albero conico	Arbre	Female	Antriebsw	1



100 daN.
75 daN.

