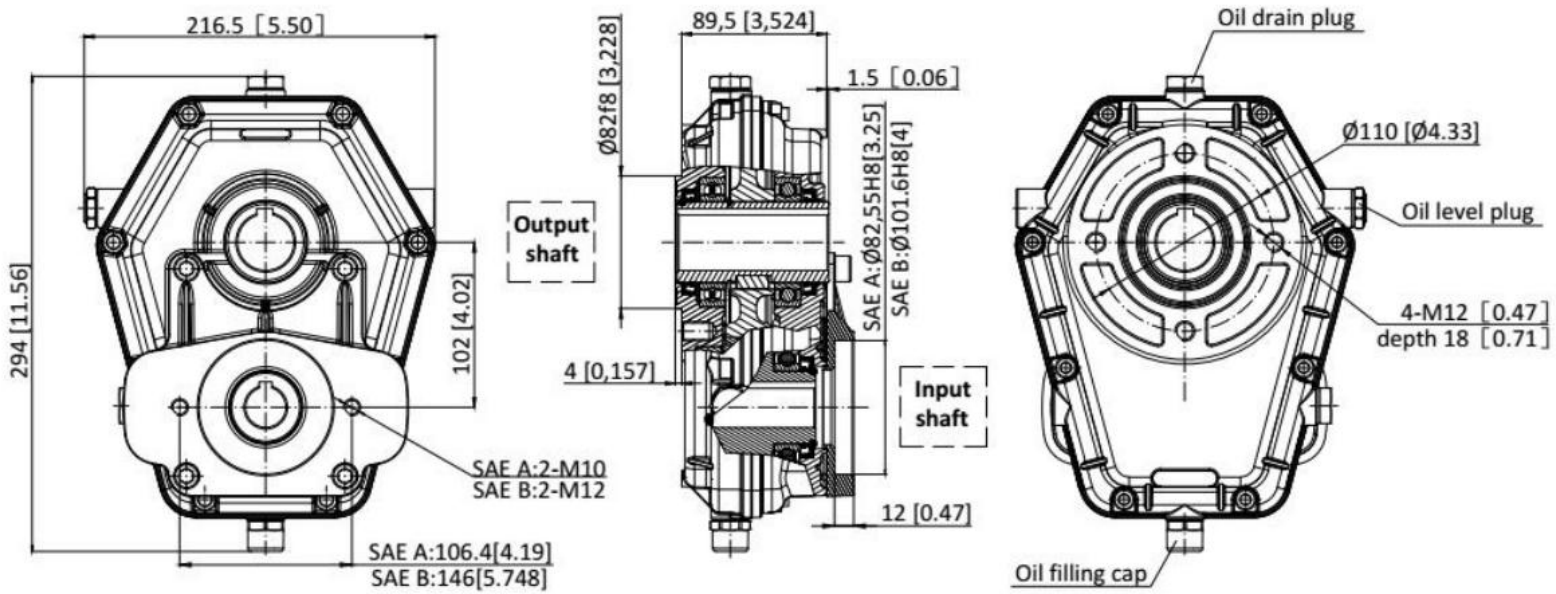
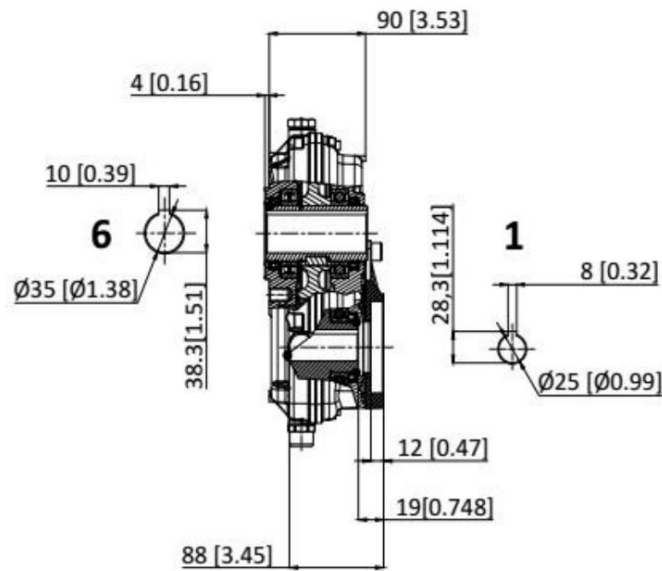


KRT70016



Shaft



Input torque (Nm)	Output torque (Nm)	Input speed (r/min)	Transmission ratio	Output speed (r/min)	Power (KW)	Weight (Kg)
592	888	300	1.5	200	37	14
444	897	400	2	200	37	14
388	962	500	2.5	200	37	14
351	1054	600	3	200	37	14
277	980	700	3.5	200	37	14
259	971	760	3.8	200	37	14