

Aluminium multiplier KM700 series



KM7001



KM7002

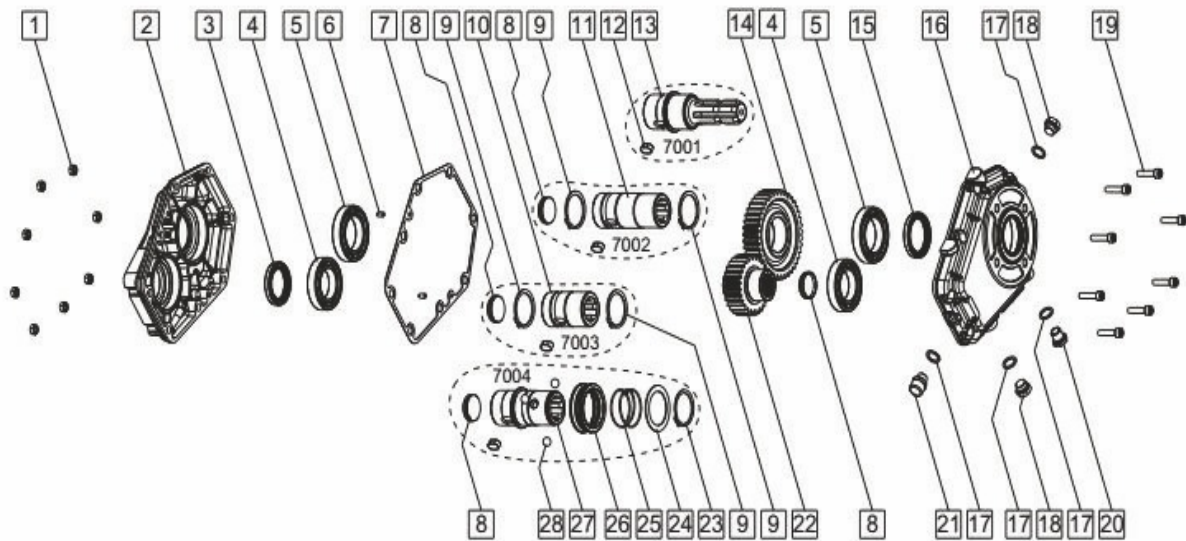


KM7003



KM7004

Spare parts:



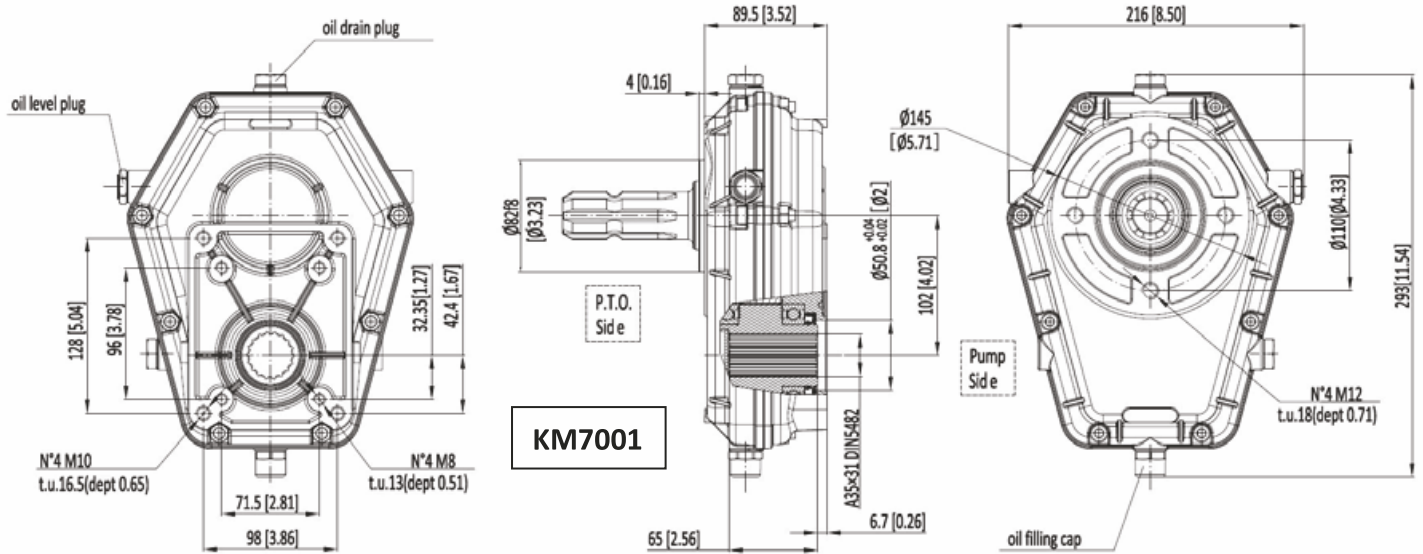
No.	Description	Quantity	No.	Description	Quantity
1	Nut M8	8	15	Sealing ring $\phi 50 \times 65 \times 8$	1
2	Cover	1	16	Housing	1
3	Sealing ring $\phi 45 \times 65 \times 8$	1	17	Gasket	4
4	Bearing type 6009	2	18	Oil drain plug 3/8"	2
5	Bearing type 6010	2	19	Socket cap screw M8 \times 35	8
6	Peg 6 \times 12	2	20	Oil level plug 3/8"	1
7	Gasket	1	21	Oil filling cap 3/8"	1
8	Cap DIN 470 $\phi 37$	1	22	Pinion gear	1
9	Snap ring dia.50	2	23	Snap ring UNI 7435-50	1
10	Female 1 3/8" DIN 9611 short	1	24	Ring	1
11	Female 1 3/8" DIN 9611 long	1	25	Spring	1
12	Key 12 \times 25	1	26	Spring ring	1
13	Male 1 3/8" DIN 9611	1	27	Female 1 3/8" DIN 9611 + tightening	1
14	Ring gear	1	28	Ball	3

Technical sheet:

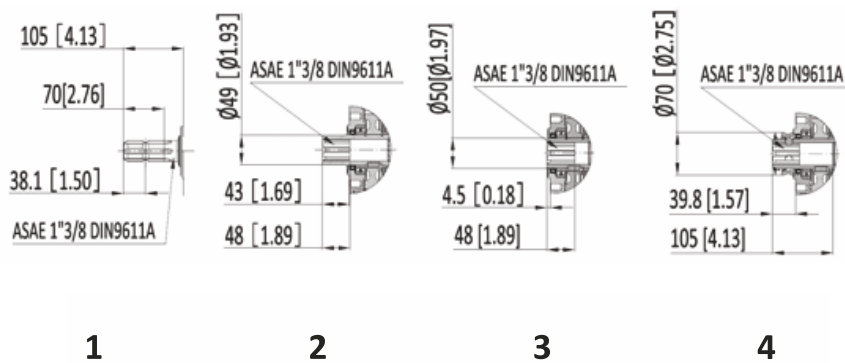
Input torque (Nm)	Output torque (Nm)	Input speed (r/min)	Transmission ratio	Output speed (r/min)	Power (Kw)	Weight (Kg)
380	260	540	1.5	810	20	8.3
430	210	540	2	1080	20	8.3
460	180	540	2.5	1350	20	8.3
490	160	540	3	1620	20	8.3
460	130	540	3.5	1836	20	8.3
437	115	540	3.8	2052	20	8.3

Aluminium multiplier KM700 series

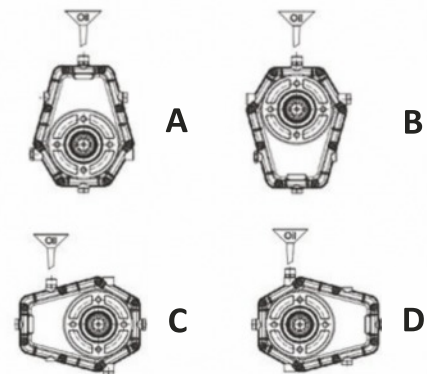
Three views:



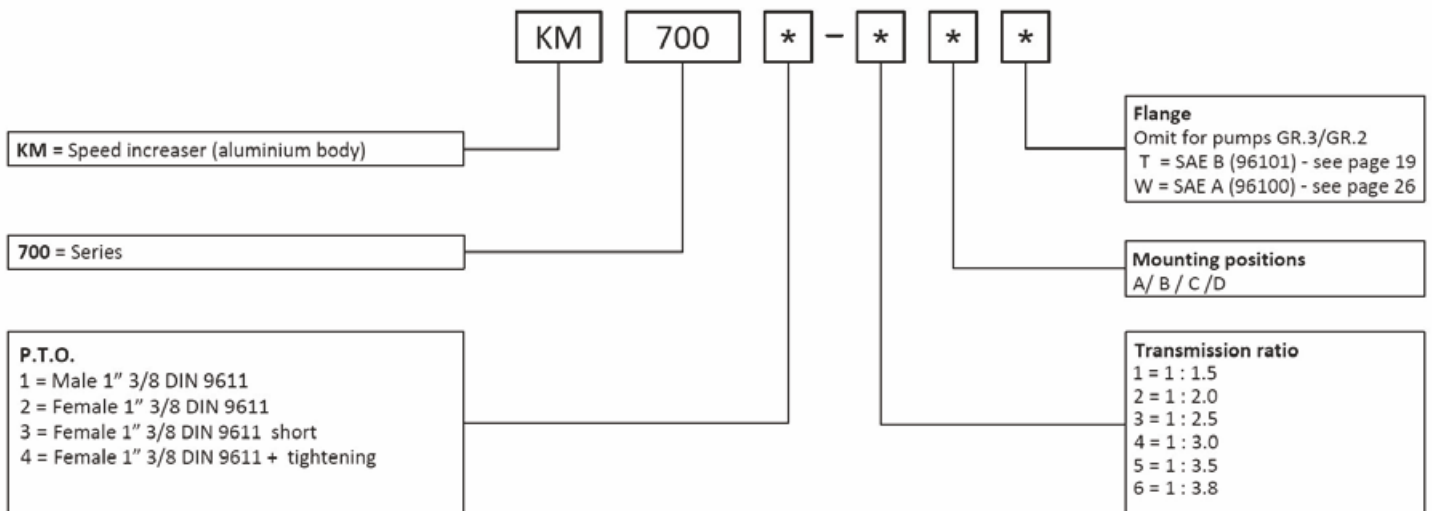
P.T.O.



Mounting positions



How to order:



For example: KM7001-1AT