

unidirectional pump - series XV

XV-1P

"BH" TYPE PUMP
 ø32 BODY-SHAPED FLANGE - MILLED SHANK

X 1 P 25 42 D B B A

Series	X	series XV
Group	1	group 1
Category	P	unidirectional pump
Displacement	25	3.8
Flange	42	ø32 BH right rotation
Shaft	D	CF002 - Milled shank ø10 - thk.5
Body	IN	inlet - 3/8" GAS
	OUT	outlet - 3/8" GAS
Cover	A	standard



XP119

Technical data table

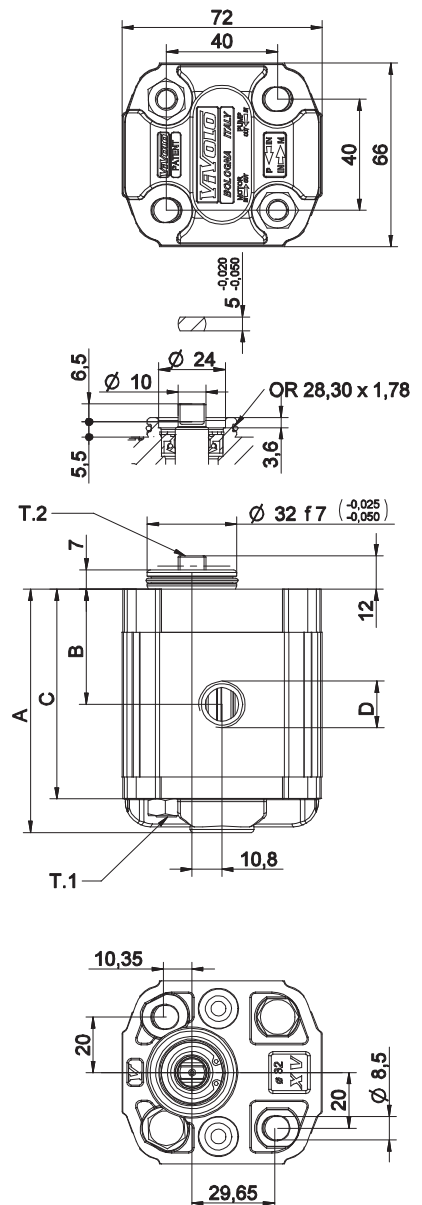
TYPE	Displacement cm3/rev	Max. Pressure		CODE			
		P1 bar	P3 bar	Left rotation		Right rotation	
XV-1P/0.9	0,91	240	280	X 1 P 16 41	D B B A	X 1 P 16 42	D B B A
XV-1P/1.2	1,17	250	290	X 1 P 17 41	D B B A	X 1 P 17 42	D B B A
XV-1P/1.7	1,56	250	290	X 1 P 18 41	D B B A	X 1 P 18 42	D B B A
XV-1P/2.2	2,08	250	290	X 1 P 20 41	D B B A	X 1 P 20 42	D B B A
XV-1P/2.6	2,60	250	300	X 1 P 21 41	D B B A	X 1 P 21 42	D B B A
XV-1P/3.2	3,12	250	300	X 1 P 23 41	D B B A	X 1 P 23 42	D B B A
XV-1P/3.8	3,64	250	300	X 1 P 25 41	D B B A	X 1 P 25 42	D B B A
XV-1P/4.3	4,16	250	300	X 1 P 27 41	D B B A	X 1 P 27 42	D B B A
XV-1P/4.9	4,94	250	300	X 1 P 29 41	D B B A	X 1 P 29 42	D B B A
XV-1P/5.9	5,85	250	300	X 1 P 31 41	D B B A	X 1 P 31 42	D B B A
XV-1P/6.5	6,50	250	300	X 1 P 32 41	D B B A	X 1 P 32 42	D B B A
XV-1P/7.8	7,54	220	260	X 1 P 34 41	D B B A	X 1 P 34 42	D B B A
XV-1P/9.8	9,88	190	230	X 1 P 36 41	D B B A	X 1 P 36 42	D B B A

P1) Max. working pressure - P3) Max. peak pressure

For heavy-duty applications, it is recommended to check the admissible torque of the shaft

Dimensions table

TYPE	Weight kg	A	B	C	D	
		mm	mm	mm	IN	OUT
XV-1P/0.9	0,950	77,1	36,3	65,1	3/8" BSPP	3/8" BSPP
XV-1P/1.2	0,970	78,0	36,8	66,0	3/8" BSPP	3/8" BSPP
XV-1P/1.7	1,010	79,5	37,5	67,5	3/8" BSPP	3/8" BSPP
XV-1P/2.2	1,030	81,5	38,5	69,5	3/8" BSPP	3/8" BSPP
XV-1P/2.6	1,060	83,5	39,5	71,5	3/8" BSPP	3/8" BSPP
XV-1P/3.2	1,090	85,5	40,5	73,5	3/8" BSPP	3/8" BSPP
XV-1P/3.8	1,120	87,5	41,5	75,5	3/8" BSPP	3/8" BSPP
XV-1P/4.3	1,170	89,5	42,5	77,5	3/8" BSPP	3/8" BSPP
XV-1P/4.9	1,200	92,5	44,0	80,5	3/8" BSPP	3/8" BSPP
XV-1P/5.9	1,260	96,0	45,8	84,0	3/8" BSPP	3/8" BSPP
XV-1P/6.5	1,300	97,5	47,0	85,5	3/8" BSPP	3/8" BSPP
XV-1P/7.8	1,360	102,5	49,0	90,5	3/8" BSPP	3/8" BSPP
XV-1P/9.8	1,500	111,5	53,5	99,5	3/8" BSPP	3/8" BSPP



25/08/04 XP2542DBBA.dft

T.1 = 24.5+29.4 [Nm] - screw tightening torque M8

T.2 = 13.8 [Nm] - admissible shaft torque (N.B. When choosing a shaft, always check the admissible torque).

Table of variations

XV-1P

ø32 "BH" Body-Shaped FLANGE

ø32 "BH" Body-Shaped FLANGE				Shaft				Cover			
Left rotation		Right rotation						Left rotation		Right rotation	
	41		42	CF002 - Milled shank T.2 = 13.8 [Nm] 	D	CO001 - Tapered T.2 = 43 [Nm] 	T			A	
	43		44	SCF02 - Splined T.2 = 42.8 [Nm] m=0,75 Z=15 	L	SCF04 - Splined T.2 = 22.6 [Nm] m=1,6 Z=6 DIN 5482 - 12x9 	J			B	
	45		46	SCF01 - Splined T.2 = 42.8 [Nm] m=0,75 Z=15 	Q	SCF03 - Splined T.2 = 42.8 [Nm] m=0,75 Z=15 	R			C	
	47		48							D	

Displacement	
TYPE	CODE
XV-1P/0.9	16
XV-1P/1.2	17
XV-1P/1.7	18
XV-1P/2.2	20
XV-1P/2.6	21
XV-1P/3.2	23
XV-1P/3.8	25
XV-1P/4.3	27
XV-1P/4.9	29
XV-1P/5.9	31
XV-1P/6.5	32
XV-1P/7.8	34
XV-1P/9.8	36

Displacement cm3/rev	Standard threads						
	I-I	B-B	J-J	B-Z	Z-Z	G-F	
0.9	I-I	B-B	J-J	B-Z	Z-Z	G-F	
1.2	I-I	B-B	J-J	B-Z	Z-Z	G-F	
1.7	I-I	B-B	J-J	B-Z	Z-Z	G-F	
2.2	I-I	B-B	J-J	B-Z	Z-Z	G-F	
2.6	I-I	B-B	J-J	B-Z	Z-Z	G-F	
3.2	I-I	B-B	J-J	B-Z	Z-Z	G-F	
3.8	I-I	B-B	J-J	B-Z	Z-Z	G-F	
4.3	I-I	B-B	J-J	B-Z	Z-Z	G-F	
4.9	I-I	B-B	J-J	B-Z	Z-Z	G-F	
5.9	I-I	B-B	J-J	B-Z	Z-Z	G-F	
6.5	I-I	B-B	J-J	B-Z	Z-Z	G-F	
7.8	I-I	B-B	J-J	B-Z	Z-Z	G-F	
9.8	I-I	B-B	J-J	B-Z	Z-Z	G-F	

Table showing standard flange and thread combinations available in stock

		N
Internal drainage		
		O
External drainage		

Body (threads/flanges)							
	A		B		C		D
	E		F		G		
	H		I		J		Z
Closed Body							

unidirectional pump - series XV

XV-1P

"HY" TYPE PUMP
 ø32 BODY-SHAPED FLANGE - MILLED SHANK

X 1 P 25 52 D B B A

Series	X	series XV
Group	1	group 1
Category	P	unidirectional pump
Displacement	25	3.8
Flange	52	Ø32 HY right rotation
Shaft	D	CF002 - Milled shank ø10 - thk.5
Body	IN	inlet - 3/8" GAS
	OUT	outlet - 3/8" GAS
Cover	A	standard



XP140

Technical data table

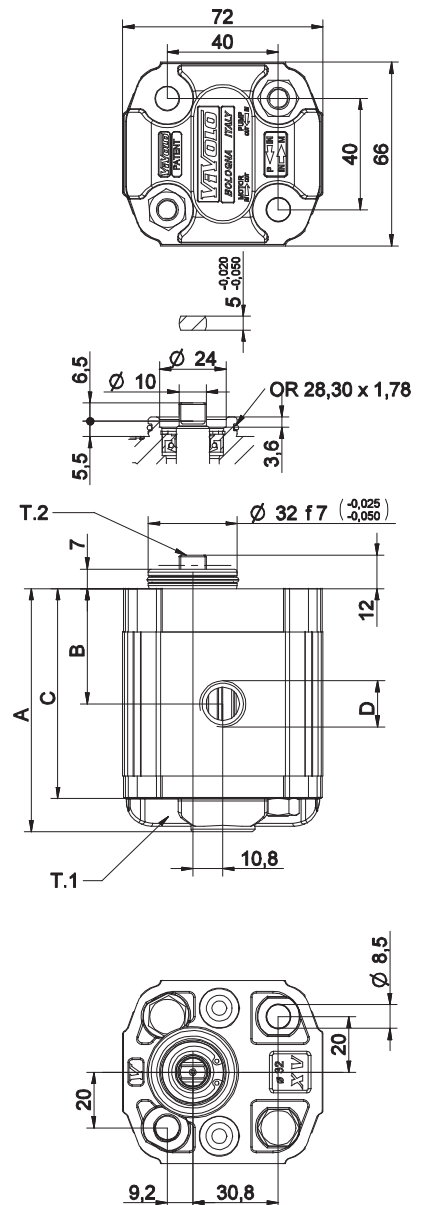
TYPE	Displacement cm3/rev	Max. Pressure		CODE																	
		P1 bar	P3 bar	Left rotation				Right rotation													
XV-1P/0.9	0,91	240	280	X	1	P	16	51	D	B	B	A	X	1	P	16	52	D	B	B	A
XV-1P/1.2	1,17	250	290	X	1	P	17	51	D	B	B	A	X	1	P	17	52	D	B	B	A
XV-1P/1.7	1,56	250	290	X	1	P	18	51	D	B	B	A	X	1	P	18	52	D	B	B	A
XV-1P/2.2	2,08	250	290	X	1	P	20	51	D	B	B	A	X	1	P	20	52	D	B	B	A
XV-1P/2.6	2,60	250	300	X	1	P	21	51	D	B	B	A	X	1	P	21	52	D	B	B	A
XV-1P/3.2	3,12	250	300	X	1	P	23	51	D	B	B	A	X	1	P	23	52	D	B	B	A
XV-1P/3.8	3,64	250	300	X	1	P	25	51	D	B	B	A	X	1	P	25	52	D	B	B	A
XV-1P/4.3	4,16	250	300	X	1	P	27	51	D	B	B	A	X	1	P	27	52	D	B	B	A
XV-1P/4.9	4,94	250	300	X	1	P	29	51	D	B	B	A	X	1	P	29	52	D	B	B	A
XV-1P/5.9	5,85	250	300	X	1	P	31	51	D	B	B	A	X	1	P	31	52	D	B	B	A
XV-1P/6.5	6,50	250	300	X	1	P	32	51	D	B	B	A	X	1	P	32	52	D	B	B	A
XV-1P/7.8	7,54	220	260	X	1	P	34	51	D	B	B	A	X	1	P	34	52	D	B	B	A
XV-1P/9.8	9,88	190	230	X	1	P	36	51	D	B	B	A	X	1	P	36	52	D	B	B	A

P1) Max. working pressure - P3) Max. peak pressure

For heavy-duty applications, it is recommended to check the admissible torque of the shaft

Dimensions table

TYPE	Weight kg	A	B	C	D	
		mm	mm	mm	IN	OUT
XV-1P/0.9	0,950	77,1	36,3	65,1	3/8" BSPP	3/8" BSPP
XV-1P/1.2	0,970	78,0	36,8	66,0	3/8" BSPP	3/8" BSPP
XV-1P/1.7	1,010	79,5	37,5	67,5	3/8" BSPP	3/8" BSPP
XV-1P/2.2	1,030	81,5	38,5	69,5	3/8" BSPP	3/8" BSPP
XV-1P/2.6	1,060	83,5	39,5	71,5	3/8" BSPP	3/8" BSPP
XV-1P/3.2	1,090	85,5	40,5	73,5	3/8" BSPP	3/8" BSPP
XV-1P/3.8	1,120	87,5	41,5	75,5	3/8" BSPP	3/8" BSPP
XV-1P/4.3	1,170	89,5	42,5	77,5	3/8" BSPP	3/8" BSPP
XV-1P/4.9	1,200	92,5	44,0	80,5	3/8" BSPP	3/8" BSPP
XV-1P/5.9	1,260	96,0	45,8	84,0	3/8" BSPP	3/8" BSPP
XV-1P/6.5	1,300	97,5	47,0	85,5	3/8" BSPP	3/8" BSPP
XV-1P/7.8	1,360	102,5	49,0	90,5	3/8" BSPP	3/8" BSPP
XV-1P/9.8	1,500	111,5	53,5	99,5	3/8" BSPP	3/8" BSPP



26/08/04 XP252089A.dft

T.1 = 24.5+29.4 [Nm] - screw tightening torque M8

T.2 = 13.8 [Nm] - admissible shaft torque (N.B. When choosing a shaft, always check the admissible torque).

Table of variations

XV-1P

ø32 "HY" Body-Shaped FLANGE

ø32 "HY" Body-Shaped FLANGE				Shaft				Cover			
Left rotation		Right rotation						Left rotation		Right rotation	
	51		52	CF002 - Milled shank T.2 = 13.8 [Nm] 	D	CO001 - Tapered T.2 = 43 [Nm] 	F				A
	53		54	SCF02 - Splined T.2 = 42.8 [Nm] m=0,75 Z=15 	L	SCF04 - Splined T.2 = 22.6 [Nm] m=1,6 Z=6 DIN 5482 - 12x9 	J				B
	55		56	SCF01 - Splined T.2 = 42.8 [Nm] m=0,75 Z=15 	Q	SCF03 - Splined T.2 = 42.8 [Nm] m=0,75 Z=15 	R				C
	57		58								D

Displacement	
TYPE	CODE
XV-1P/0.9	16
XV-1P/1.2	17
XV-1P/1.7	18
XV-1P/2.2	20
XV-1P/2.6	21
XV-1P/3.2	23
XV-1P/3.8	25
XV-1P/4.3	27
XV-1P/4.9	29
XV-1P/5.9	31
XV-1P/6.5	32
XV-1P/7.8	34
XV-1P/9.8	36

Displacement cm3/rev	Standard bodies						
	Standard threads						
0.9	I-I	B-B	J-J	B-Z	Z-Z	G-F	
1.2	I-I	B-B	J-J	B-Z	Z-Z	G-F	
1.7	I-I	B-B	J-J	B-Z	Z-Z	G-F	
2.2	I-I	B-B	J-J	B-Z	Z-Z	G-F	
2.6	I-I	B-B	J-J	B-Z	Z-Z	G-F	
3.2	I-I	B-B	J-J	B-Z	Z-Z	G-F	
3.8	I-I	B-B	J-J	B-Z	Z-Z	G-F	
4.3	I-I	B-B	J-J	B-Z	Z-Z	G-F	
4.9	I-I	B-B	J-J	B-Z	Z-Z	G-F	
5.9	I-I	B-B	J-J	B-Z	Z-Z	G-F	
6.5	I-I	B-B	J-J	B-Z	Z-Z	G-F	
7.8	I-I	B-B	J-J	B-Z	Z-Z	G-F	
9.8	I-I	B-B	J-J	B-Z	Z-Z	G-F	

Table showing standard flange and thread combinations available in stock

				N
Internal drainage				
				O
External drainage				

Body (threads/flanges)							
	A		B		C		D
	H		I		J		Z
Closed Body							