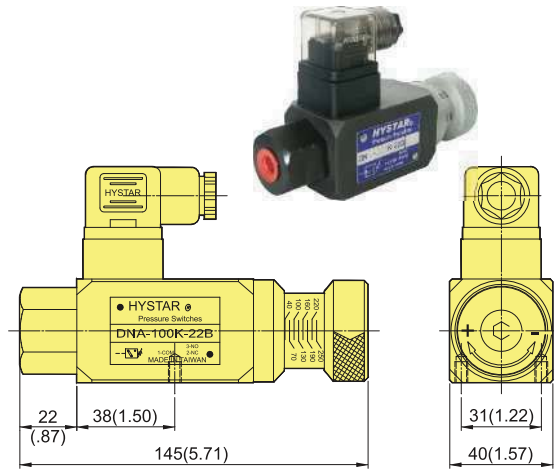
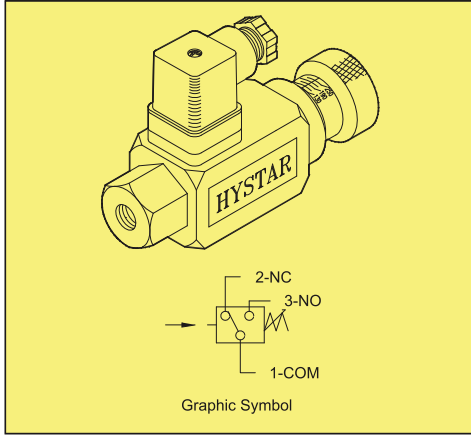


DIMENSIONS

MILLIMETERS(INCHES)

DNA Series Pressure Switches



Ordering Code

DNA - 100K - 22B

① ② ③

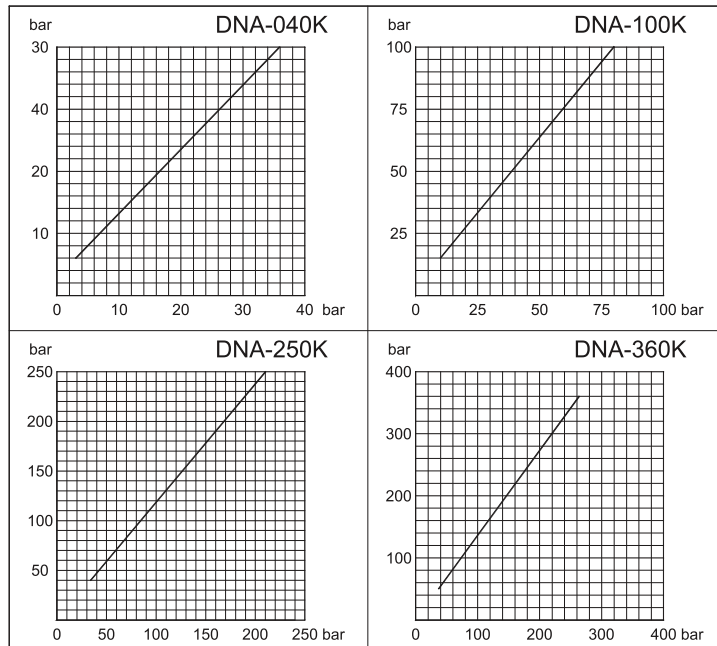
① Series
DNA-
Direct read-out,
Standard type.

② Pressure Adj. Range

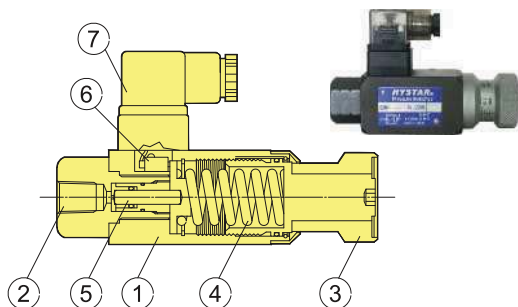
Model	Pres Adj. Range bar	Surge Pres. bar	Weight kg
040K	6~ 40	150	1.0
100K	15~100	250	1.0
250K	40~250	300	1.0
360K	50~360	400	1.0

③ Design Number
22B:1/4"PT(Rc)
22B80:1/4"PF(G)
22B90:1/4"NPT

Hysteresis Diagrammes



Schematic Cross-Section



No.	Part Name
1	Body(Casting-Iron)
2	Connection Port 1/4"PT(Rc)
3	Pressure Adj. Knob
4	Spring
5	Servo-Piston
6	Micro-Switch
7	Electrical Connector

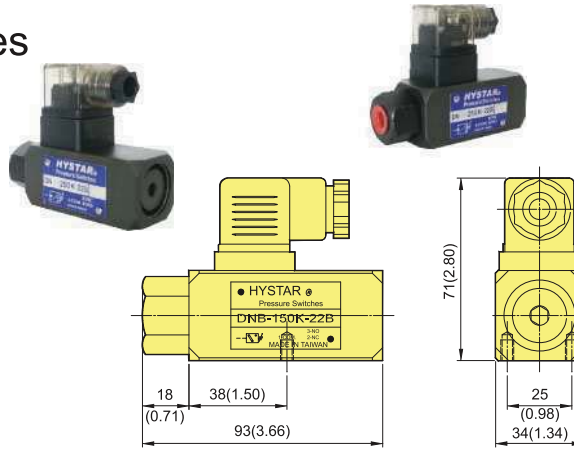
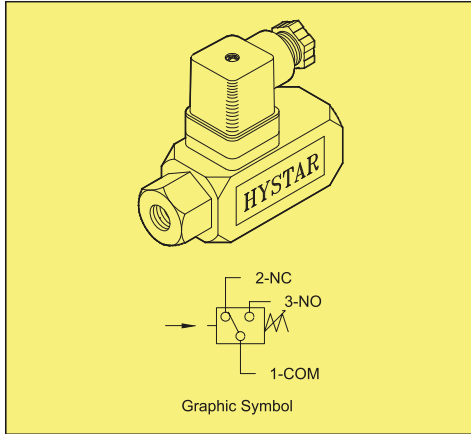


PRESSURE SWITCH

DIMENSIONS

MILLIMETERS(INCHES)

DNB Series Pressure Switches



Ordering Code

DNB - 150K - 22B

- ① ② ③

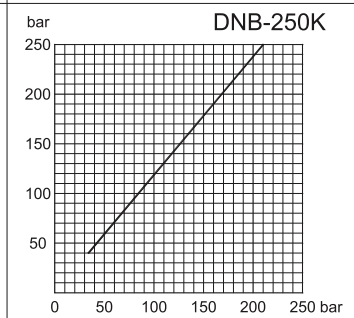
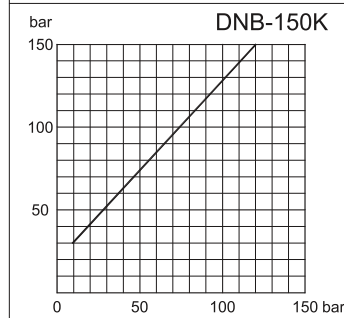
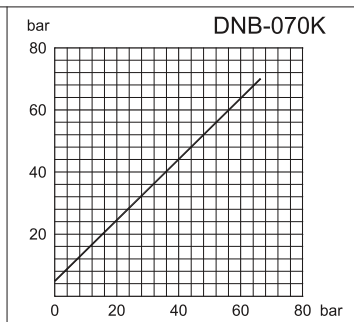
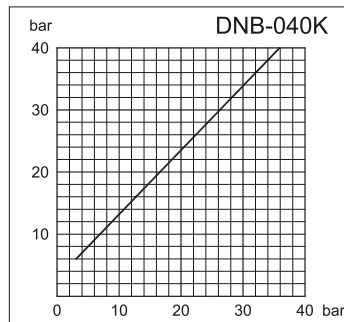
① Series
DNB-
General type.

② Pressure Adj. Range

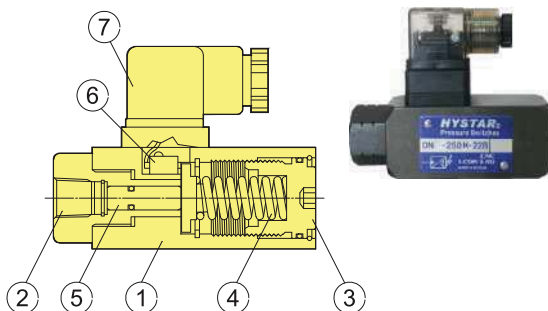
Model	Pres Adj. Range bar	Surge Pres. bar	Weight kg
040K	6~ 40	150	0.6
070K	5~ 70	200	0.6
150K	30~150	300	0.6
250K	40~250	300	0.6

③ Design Number
22B:1/4"PT(Rc)
22B80:1/4"PF(G)
22B90:1/4"NPT

Hysteresis Diagrammes

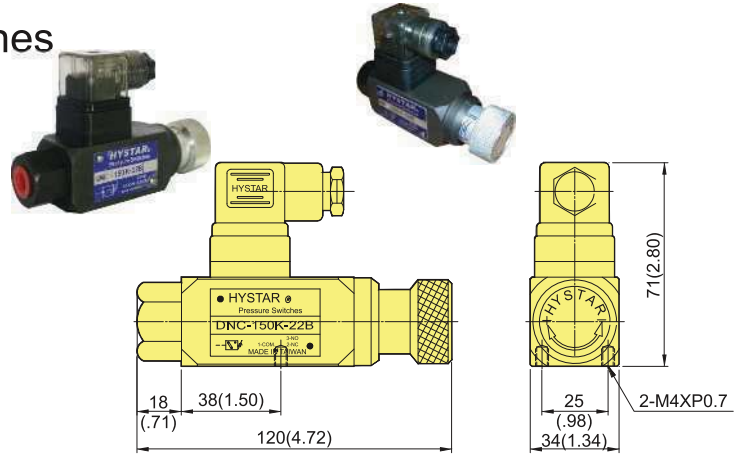
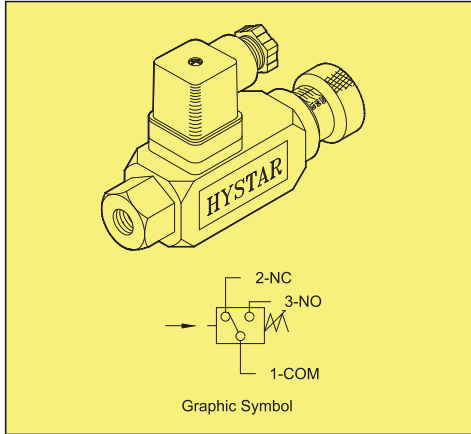


Schematic Cross-Section



No.	Part Name
1	Body(Casting-Iron)
2	Connection Port 1/4"PT(Rc)
3	Pressure Adj. Knob
4	Spring
5	Servo-Piston
6	Micro-Switch
7	Electrical Connector

DNC Series Pressure Switches



Ordering Code

DNC - 150K - 22B

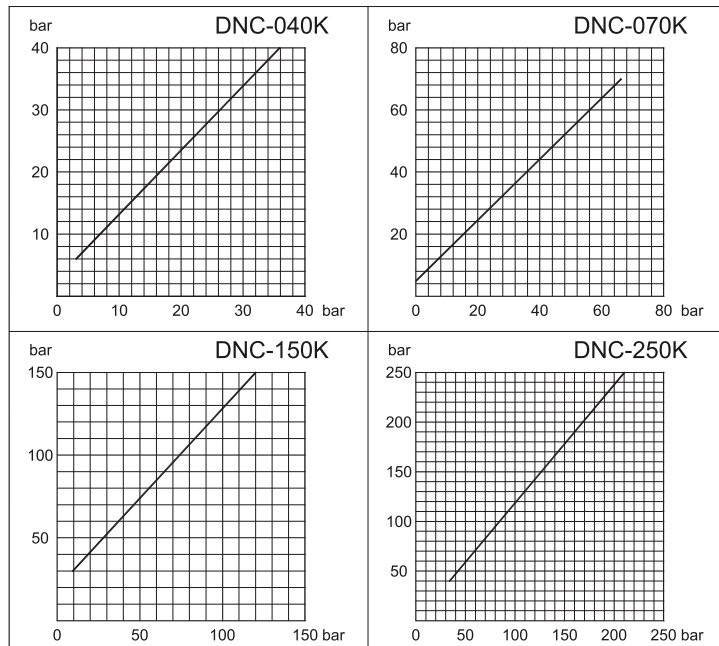
- ① ② ③

- ① Series DNC- General type.
 ② Pressure Adj. Range

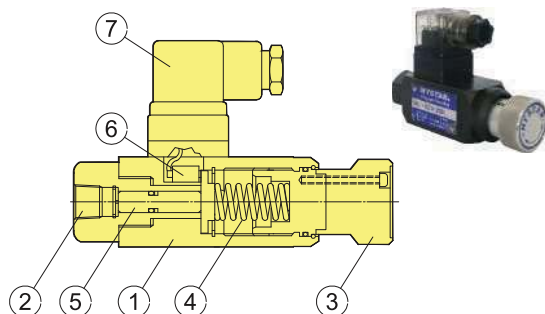
Model	Pres Adj. Range bar	Surge Pres. bar	Weight kg
040K	6~ 40	150	0.6
070K	5~ 70	200	0.6
150K	30~150	300	0.6
250K	40~250	300	0.6

- ③ Design Number
 22B:1/4"PT(Rc)
 22B80:1/4"PF(G)
 22B90:1/4"NPT

Hysteresis Diagrammes



Schematic Cross-Section



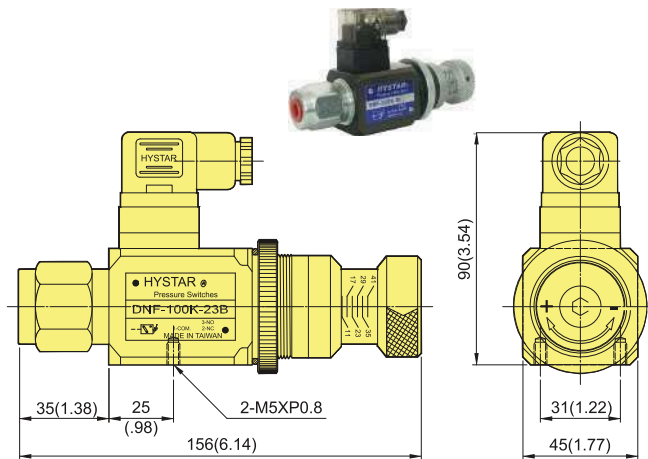
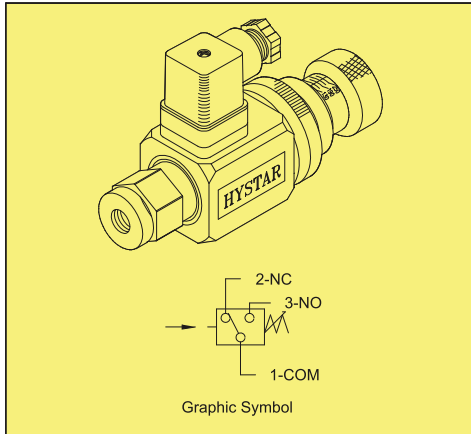
No.	Part Name
1	Body(Casting-Iron)
2	Connection Port 1/4"PT(Rc)
3	Pressure Adj. Knob
4	Spring
5	Servo-Piston
6	Micro-Switch
7	Electrical Connector



DIMENSIONS

MILLIMETERS(INCHES)

DNF Series Pressure Switches



Ordering Code

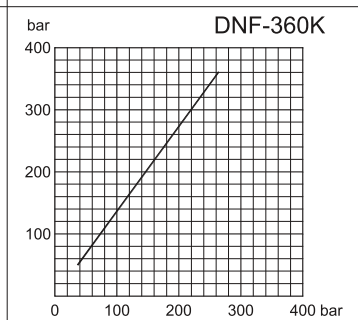
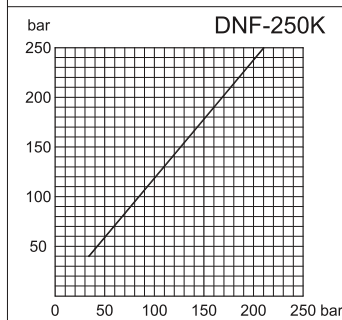
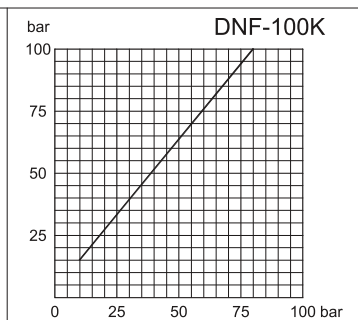
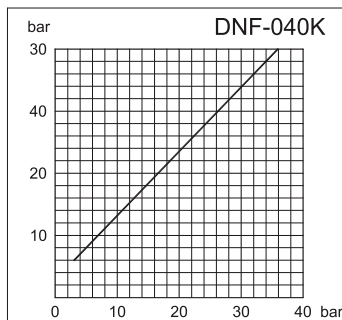
DNF - 100K - 30B

- ① Series
DNF-
Direct read-out,
Panel mounting type.
- ② Pressure Adj. Range

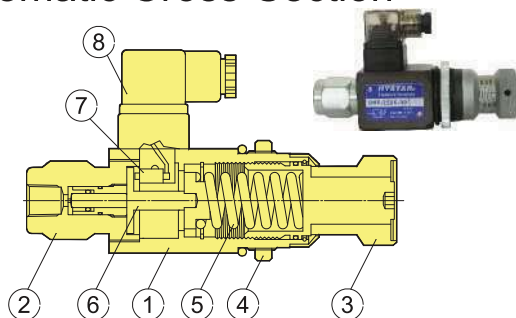
Model	Pres Adj. Range bar	Surge Pres. bar	Weight kg
040K	6~ 40	200	1.2
100K	15~100	350	1.2
250K	40~250	350	1.2
360K	50~360	400	1.2

- ③ Design Number
30B:1/4"PT(Rc)
30B80:1/4"PF(G)
30B90:1/4"NPT

Hysteresis Diagrammes



Schematic Cross-Section



No.	Description
1	Body(Casting-Iron)
2	Connection Port 1/4"PT(Rc)
3	Pressure Adj. Knob
4	Knob Set Screw
5	Spring
6	Servo-Piston
7	Micro-Switch
8	Electrical Connector

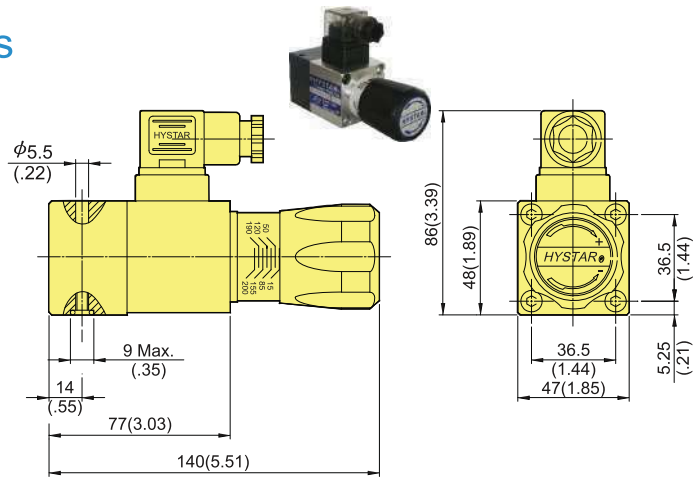
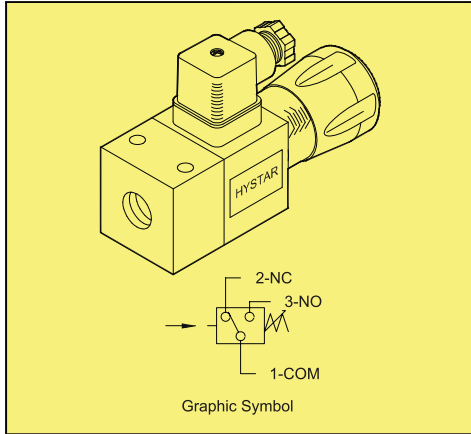


PRESSURE SWITCH

DIMENSIONS

MILLIMETERS(INCHES)

DNL Series Pressure Switches



Ordering Code

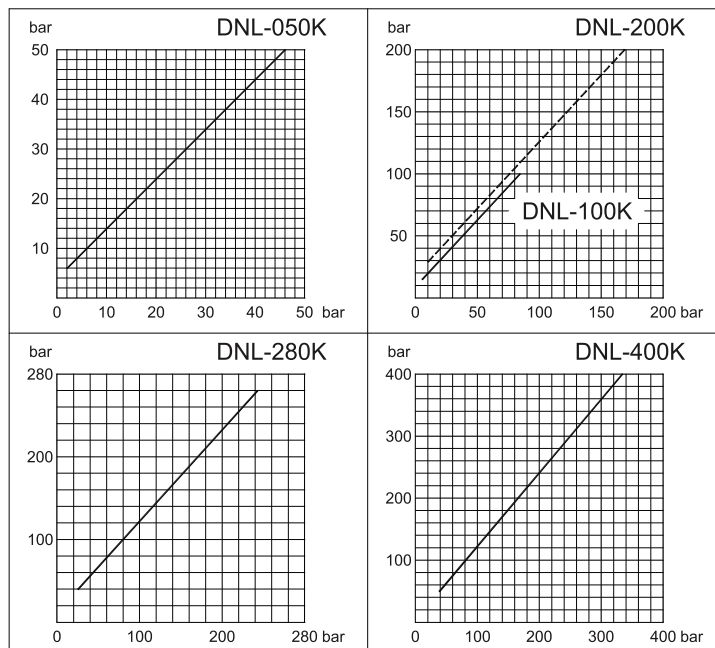
DNL - 100K - 21B

- ① Series
DNL- Direct read-out,
Heavy-duty micro-switch.
- ② Pressure Adj. Range

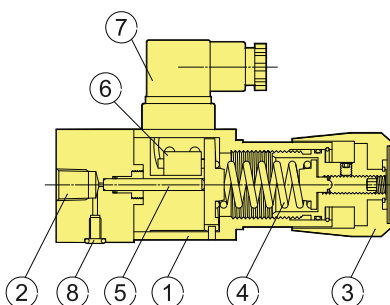
Model	Pres Adj. Range	Surge Pres.	Weight
	bar	bar	
050K	6~ 50	200	1.0
100K	15~100	300	1.0
200K	30~200	300	1.0
280K	40~280	350	1.0
400K	50~400	450	1.0

- ③ Design Number
21B:1/4"PT(Rc)
21B80:1/4"PF(G)
21B90:1/4"NPT

Hysteresis Diagrammes



Schematic Cross-Section



No.	Part Name
1	Body(Casting-Iron)
2	Connection Port 1/4"PT(Rc)
3	Pressure Adj. Knob
4	Spring
5	Servo-Piston
6	Micro-Switch
7	Electrical Connector
8	O-ring P6(M5XP0.8) Sub-Plate Mounting