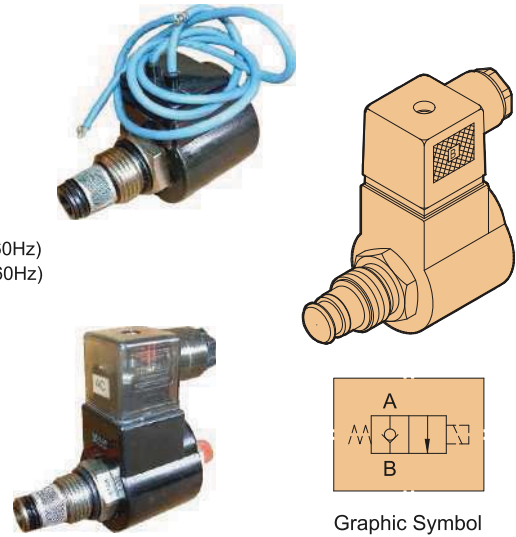


SOLENOID CARTRIDGE TYPE CHECK VALVE

ORDERING CODE:

V2066 — A4 — * — 10

DESIGN NUMBER
 OPTION:
 NONE:STANDARD
 OM:WITH MANUAL
 COIL TYPE:
 A1:AC100V(50/60Hz),AC110V(60Hz)
 A2:AC200V(50/60Hz),AC220V(60Hz)
 A3:AC110V(50Hz)
 A4:AC220V(50Hz)
 A5:AC240V(50Hz)
 A8:AC380V(50/60Hz)
 D1:DC12V
 D2:DC24V
 SERIES NUMBER



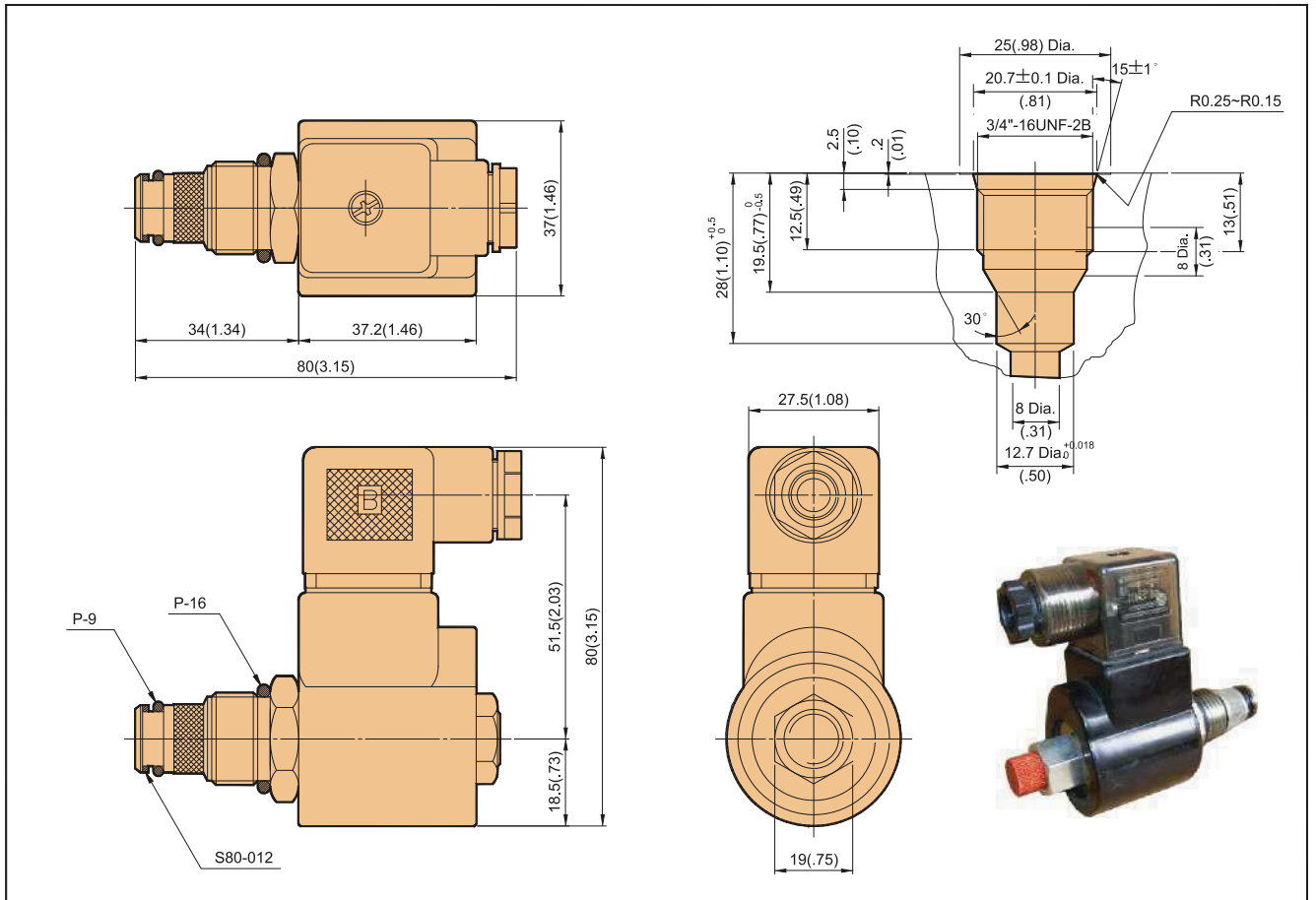
F

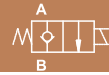
RATINGS

V2066						
Normal Closed-NC Normal Open-NO		Max. Flow lpm(USgpm)	Max. Pres. bar(PSI)	Operating Temperature Range	Weight kg(lbs)	Terminations N:DIN 43650 Y:Lead Wires(2)
NC	NO	20(5.28)	210(3000)	-20°C~120°C -4°F~248°F	0.2(0.44) With Coil	

DIMENSIONS

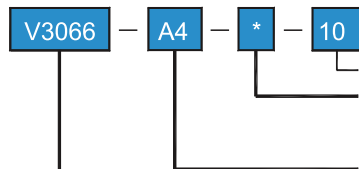
MILLIMETERS (INCHES)



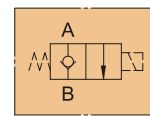
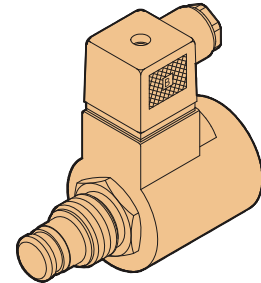


SOLENOID CARTRIDGE TYPE CHECK VALVE

■ ORDERING CODE:



DESIGN NUMBER
 OPTION:
 NONE:STANDARD
 OM:WITH MANUAL
 COIL TYPE:
 A1:AC100V(50/60Hz),AC110V(60Hz)
 A2:AC200V(50/60Hz),AC220V(60Hz)
 A3:AC110V(50Hz)
 A4:AC220V(50Hz)
 A5:AC240V(50Hz)
 A8:AC380V(50/60Hz)
 D1:DC12V D2:DC24V
 SERIES NUMBER



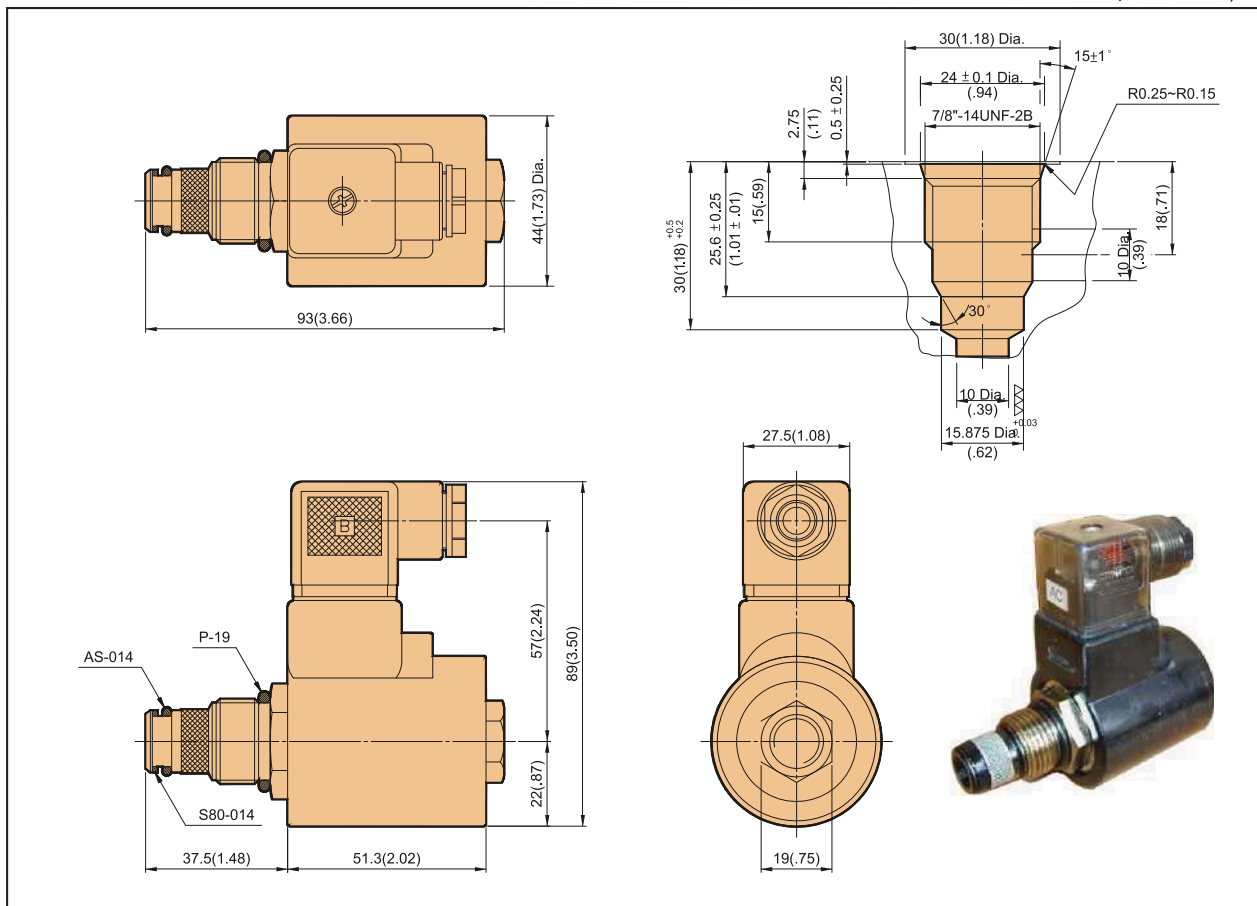
Graphic Symbol

■ RATINGS

V3066						
Normal Closed-NC Normal Open-NO		Max. Flow lpm(USgpm)	Max. Pres. bar(PSI)	Operating Temperature Range	Weight kg(lbs)	Terminations N:DIN 43650
NC	NO	40(10.57)	210(3000)	-20°C~120°C -4°F~248°F	0.4(.88) With Coil	

DIMENSIONS

MILLIMETERS (INCHES)

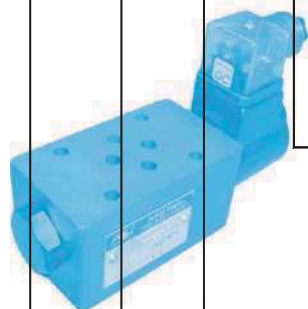


F

CETOP-3 SINGLE SOLENOID CHECK MODULAR VALVE

ORDERING CODE:

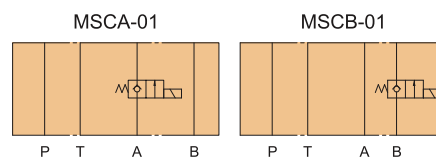
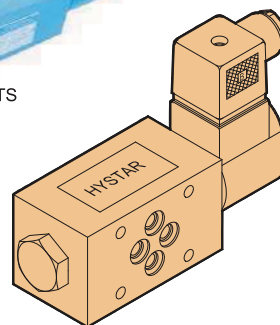
MSC - **A** - **01** - **A4** - ***** - **20**



VALVE SIZE:
01:1/8"
CONTROL LINE
A:A LINE
B:B LINE
SOLENOID CHECK MODULAR VALVE

DESIGN NUMBER
20:WITH DIN 912 BOLTS
2090:WITH UNC (NORTH AMERICAN) BOLTS

OPTION:
NONE:STANDARD
OM:WITH MANUAL
COIL TYPE:
A1:AC100V(50/60Hz),AC110V(60Hz)
A2:AC200V(50/60Hz),AC220V(60Hz)
A3:AC110V(50Hz)
A4:AC220V(50Hz)
A5:AC240V(50Hz)
A8:AC380V(50/60Hz)
D1:DC12V D2:DC24V



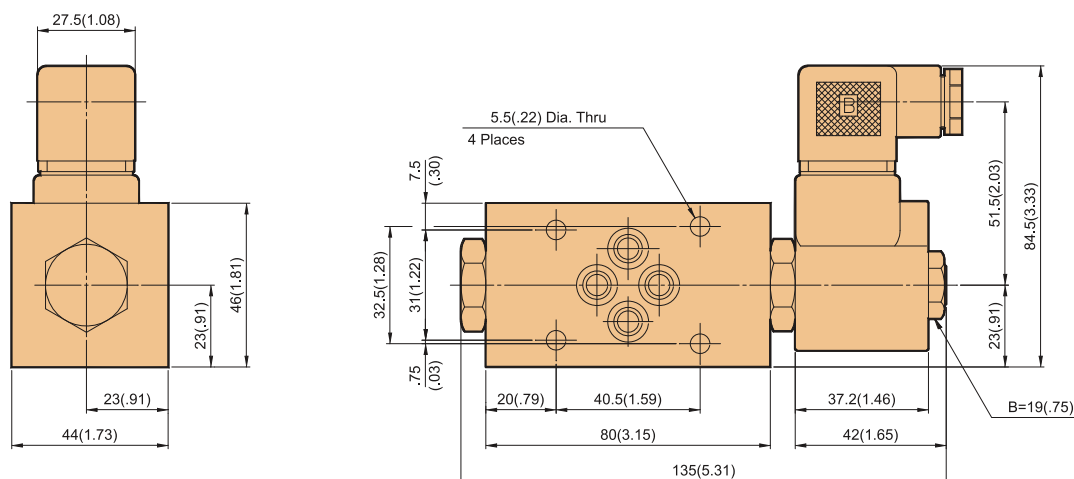
Graphic Symbol

RATINGS

MSC*-01						
Normal Closed-NC Normal Open-NO		Max. Flow lpm(USgpm)	Max. Pres. bar(Psi)	Operating Temperature Range	Weight kg(lbs)	Terminations N:DIN 43650 Y:Lead Wires(2)
NC	NO	20(5.28)	210(3000)	-20°C~120°C -4°F~248°F	1(2.2) With Coil	

DIMENSIONS

MILLMETERS (INCHES)



Code	Name/Description
20	Attachment Soc.Hd.Cap Screw M5X90LgX4pcs
2090	Attachment Soc.Hd.Cap Screw No.10-24UNCX3-1/2"LgX4pcs

CETOP-3 DOUBLE SOLENOID CHECK MODULAR VALVE

ORDERING CODE:

MSC - **W** - **01** - **A4** - ***** - **20**

DESIGN NUMBER
 20: WITH DIN 912 BOLTS
 2090: WITH UNC (NORTH AMERICAN) BOLTS

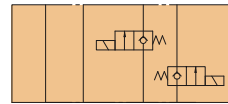
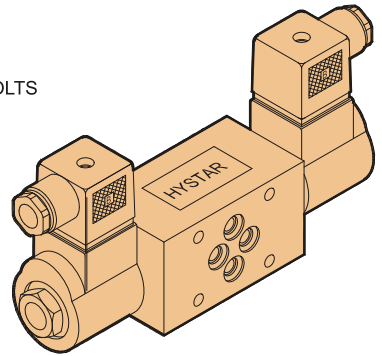
OPTION:
 NONE: STANDARD
 OM: WITH MANUAL

COIL TYPE:
 A1: AC100V(50/60Hz), AC110V(60Hz)
 A2: AC200V(50/60Hz), AC220V(60Hz)
 A3: AC110V(50Hz)
 A4: AC220V(50Hz)
 A5: AC240V(50Hz)
 A8: AC380V(50/60Hz)
 D1: DC12V D2: DC24V

VALVE SIZE:
 01: 1/8"

CONTROL LINE
 W: A & B LINE

SOLENOID CHECK MODULAR VALVE



P T A B
 Graphic Symbol



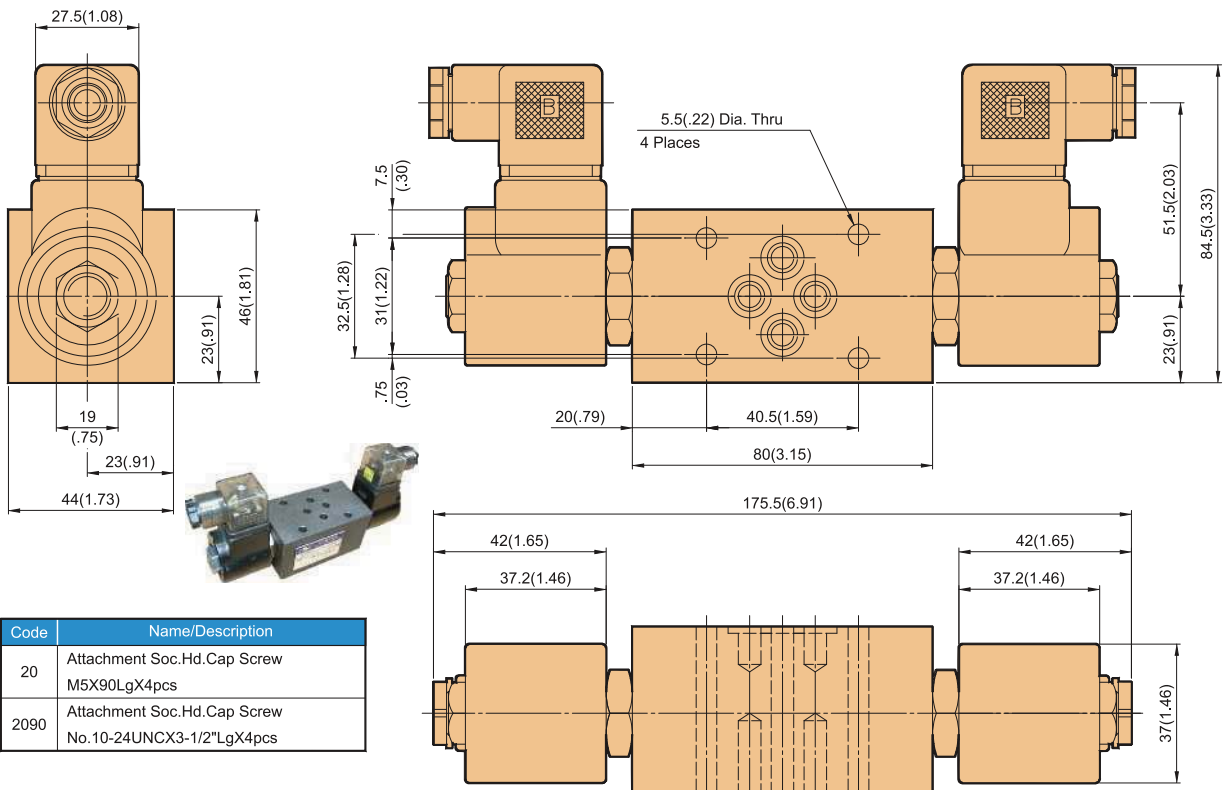
F

RATINGS

MSCW-01						
Normal Closed-NC Normal Open-NO		Max. Flow lpm(USgpm)	Max. Pres. bar(PSI)	Operating Temperature Range	Weight kg(lbs)	Terminations N: DIN 43650 Y: Lead Wires(2)
NC	NO	20(5.28)	210(3000)	-20°C~120°C -4°F~248°F	1.3(2.86) With Coil	

DIMENSIONS

MILLMETERS (INCHES)



CETOP-5 SINGLE SOLENOID CHECK MODULAR VALVE

ORDERING CODE:

MSC
 A
 03
 A4
 *
 20

DESIGN NUMBER
 20: WITH DIN 912 BOLTS
 2090: WITH UNC (NORTH AMERICAN) BOLTS
 OPTION:
 NONE: STANDARD
 OM: WITH MANUAL

COIL TYPE:
 A1: AC100V(50/60Hz), AC110V(60Hz)
 A2: AC200V(50/60Hz), AC220V(60Hz)
 A3: AC110V(50Hz)
 A4: AC220V(50Hz)
 A5: AC240V(50Hz)
 A8: AC380V(50/60Hz)
 D1: DC12V D2: DC24V

VALVE SIZE:
 03: 3/8"

CONTROL LINE
 A: A LINE B: B LINE
 SOLENOID CHECK MODULAR VALVE

RATINGS

MSC*-03						
Normal Closed-NC Normal Open-NO		Max. Flow lpm(USgpm)	Max. Pres. bar(PSI)	Operating Temperature Range	Weight kg(lbs)	Terminations N:DIN 43650
NC	NO	40(10.5)	210(3000)	-20°C~120°C -4°F~248°F	2.8(6.2) With Coil	

DIMENSIONS

MILLMETERS (INCHES)

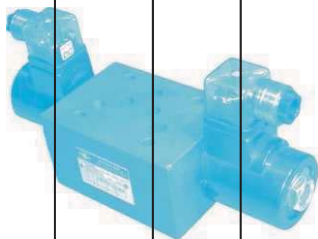
Dimensions shown in drawings:
 Overall length: 110(4.33)
 Overall height: 55(2.17)
 Solenoid height: 27.5(1.08)
 Solenoid width: 44(1.73)
 Mounting hole spacing: 10(.39) Dia. 5 Places
 Mounting hole diameter: 6.8(.27) Dia. Thru 4 Places
 Port spacing: 28(1.10), 54(2.13)
 Port diameter: 16(.63) Dia. 5 Places, 11(.43) Dia. 5 Places
 Total width: 178(7.00)
 Solenoid width: 51.3(2.02), 56(2.20)
 Solenoid height: 44(1.73) Dia.
 Top view width: 19(.75)
 Top view height: 95(3.74)

Code	Name/Description
20	Attachment Soc.Hd.Cap Screw M6X90LgX4pcs
2090	Attachment Soc.Hd.Cap Screw 1/4-20UNCX3-1/2"LgX4pcs

CETOP-5 DOUBLE SOLENOID CHECK MODULAR VALVE

ORDERING CODE:

MSC — **W** — **03** — **A4** — ***** — **20**



DESIGN NUMBER
20: WITH DIN 912 BOLTS
2090: WITH UNC (NORTH AMERICAN) BOLTS

OPTION:
NONE: STANDARD
OM: WITH MANUAL

COIL TYPE:
A1: AC100V(50/60Hz), AC110V(60Hz)
A2: AC200V(50/60Hz), AC220V(60Hz)
A3: AC110V(50Hz)
A4: AC220V(50Hz)
A5: AC240V(50Hz)
A8: AC380V(50/60Hz)

D1: DC12V
D2: DC24V

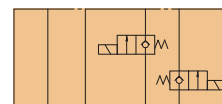
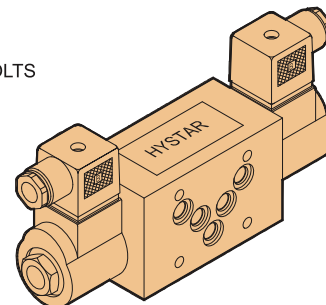
VALVE SIZE:

03: 3/8"

CONTROL LINE

W: A & B LINE

SOLENOID CHECK MODULAR VALVE



P T A B
Graphic Symbol

RATINGS

MSCW-03						
Normal Closed-NC	Normal Open-NO	Max. Flow lpm(USgpm)	Max. Pres. bar(Psi)	Operating Temperature Range	Weight kg(lbs)	Terminations N: DIN 43650
NC	NO	40(10.5)	210(3000)	-20°C ~ 120°C -4°F ~ 248°F	3.5(7.7) With Coil	

DIMENSIONS

MILLMETERS (INCHES)

Code	Name/Description
20	Attachment Soc.Hd.Cap Screw M6X90LgX4pcs
2090	Attachment Soc.Hd.Cap Screw 1/4-20UNCX3-1/2"LgX4pcs

