

DIMENSIONS

MILLIMETERS(INCHES)

AIR OIL COOLER 2002H SERIES

Plate - Fin Heat Exchangers

TYPE	Throat	Oil Flow	Working pressure	Capacity	Hydraulic	Diagram L x H x W m/m	Weight
	PT"	lpm	bar	Kcl/h	System		Kg
				$\Delta t=30$ XC	Hp		
AH0608T-CA*	3/4"	60	20	1500	2 ~ 3	305x200x115	4.2
AH0608LT-CA*	3/4"	60	20	3000	3 ~ 5	405x200x115	6
AH1012-CA*	1"	100	20	6000	7.5 ~ 10	410x370x200	10
AH1417-A*	1"	100	20	10000	10 ~ 20	556x411x200	10.5
AH1470-A*	1 1/4"	200	20	14000	15 ~ 25	570x407x225	13
AH1470-CA*	1 1/4"	200	20	18000	20 ~ 30	520x475x320	25

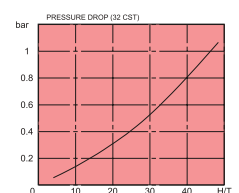
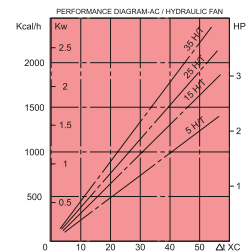
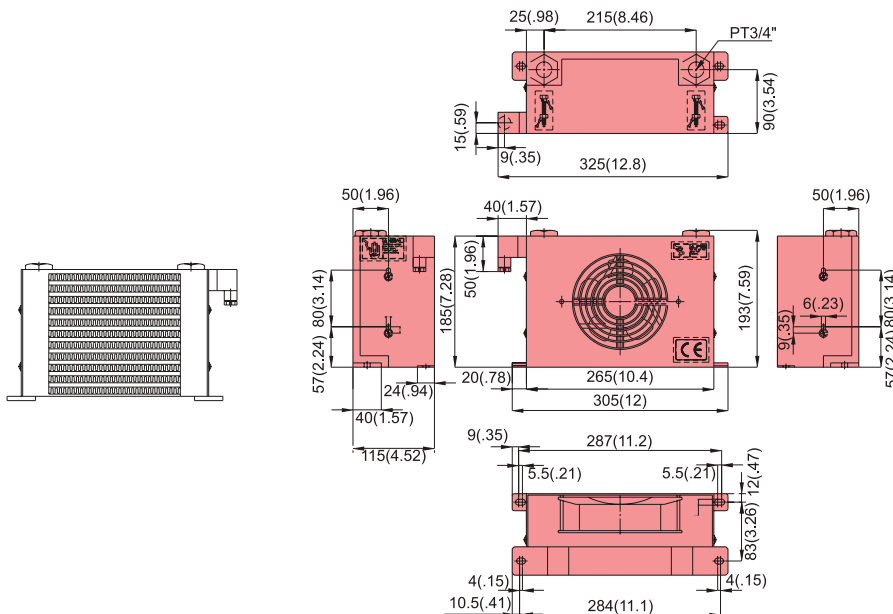
AH heat exchangers air/oil are normally used for the cooling of the oil hydraulic systems and are installed on the return line of the system.

* To pressure the heat exchanger, it is suggested that a by-pass valve is inserted.



PLATE-FIN HEAT EXCHANGERS

AH0608T-CA*



DIMENSIONS

MILLIMETERS(INCHES)

PLATE-FIN HEAT EXCHANGERS

AH0608LT-CA*

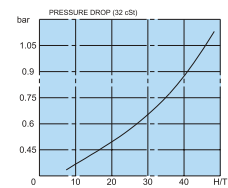
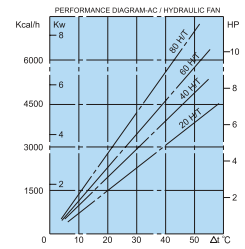
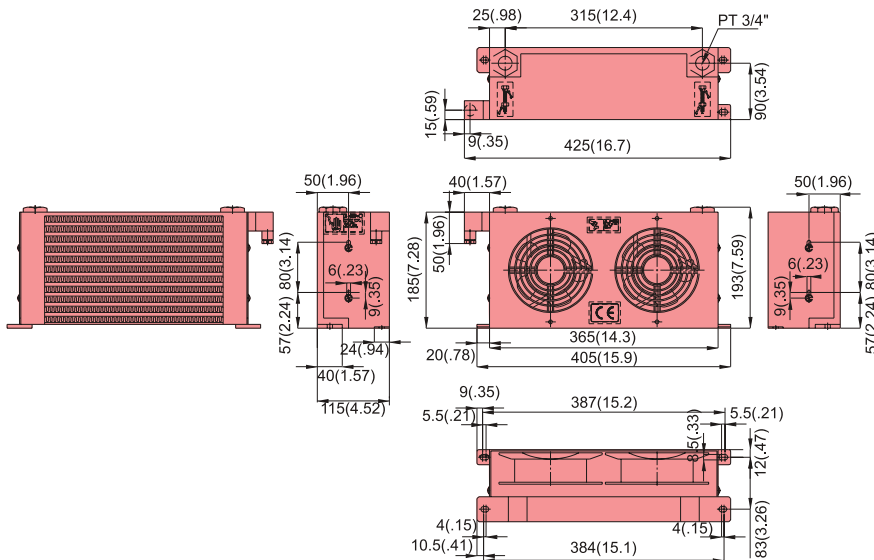
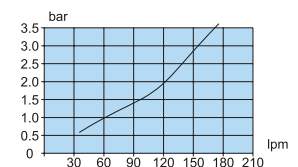
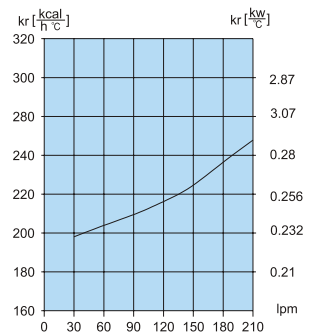
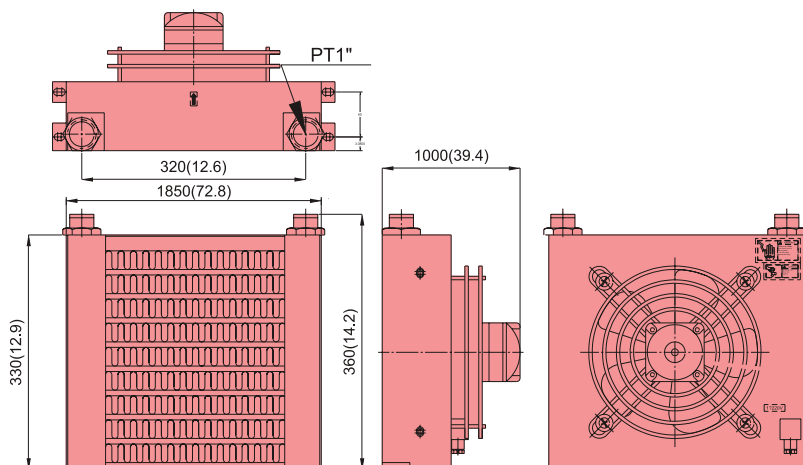


PLATE-FIN HEAT EXCHANGERS

AH1012-CA*



DIMENSIONS

MILLIMETERS(INCHES)

PLATE-FIN HEAT EXCHANGERS

AH1417-A*

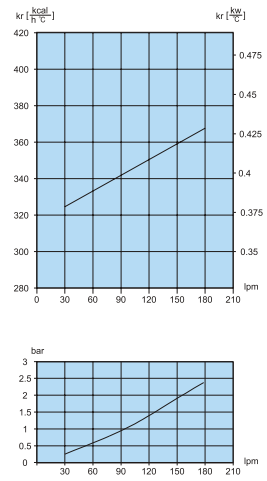
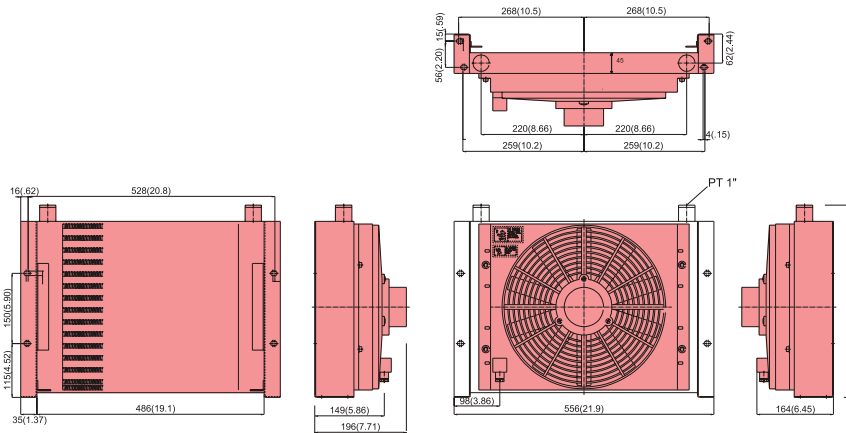


PLATE-FIN HEAT EXCHANGERS

AH1470-A*

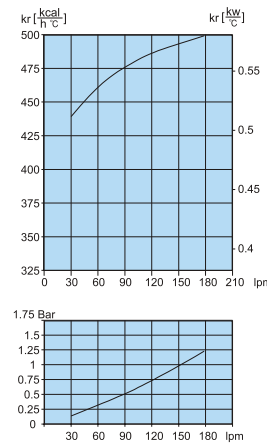
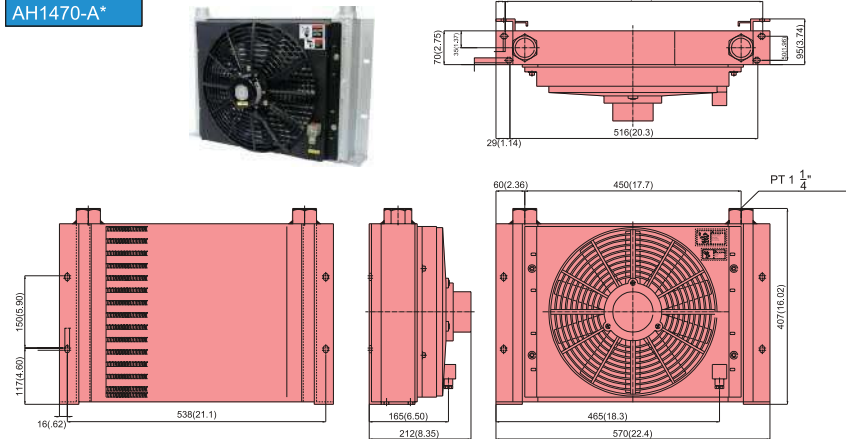


PLATE-FIN HEAT EXCHANGERS

AH1470-CA*

