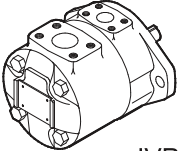
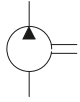
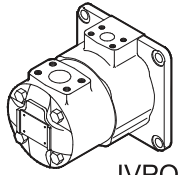
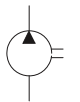
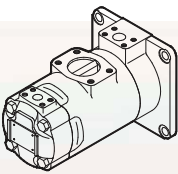
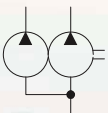
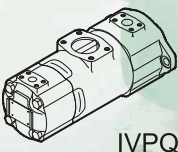
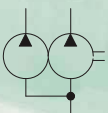
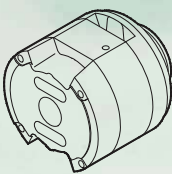
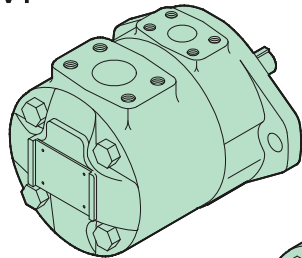


B

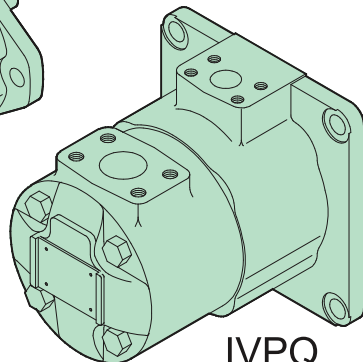
Model Code		Graphic Symbol	Q max. cm ³ / r.p.m		P max. bar	Max. r.p.m	Ref. Page
Single Pump  IVP	IVP1		7.5 ~ 236		138 ι 207	1800	94
	IVP2						
	IVP3						
	IVP4						
Single Pump  IVPQ	IVPQ1		7.5 ~ 236		138 ι 207	1800	94
	IVPQ2						
	IVPQ3						
	IVPQ4						
Model Code		Graphic Symbol	Shaft end pump Q max. cm ³ / r.p.m	Cover end pump Q max. cm ³ / r.p.m	P max. bar	Max. r.p.m	Ref. Page
Double Pump  IVP	IVP21		32.5 ~ 236	7.5 ~ 134	69 ι 172	1800 F3=1200 F11=1500	104
	IVP31						
	IVP32						
	IVP41						
	IVP42						
	IVP43						
Double Pump  IVPQ	IVPQ21		32.5 ~ 236	7.5 ~ 134	69 ι 172	1800 F3=1200 F11=1500	104
	IVPQ31						
	IVPQ32						
	IVPQ41						
	IVPQ42						
	IVPQ43						
Cartridge Kit	Geometric Displacement Code						Ref. Page
	Single Pump	Double Pump					
		Shaft end pump	Cover end pump				
	2 ~ 75	10 ~ 75	2 ~ 42			111	

B

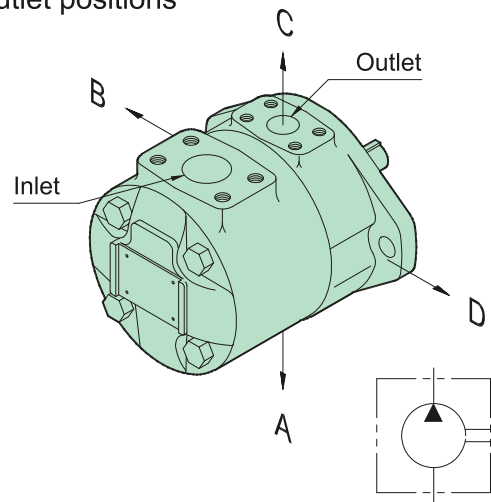
IVP



IVPQ



Outlet positions



IVP(Q) Ordering Code - Single Pumps

(F3-)	IVP(Q)2	-17	-F	-R	-C	-10
Prefix, fluid compatibility	Frame size	Geometric displacement ● Code	Mounting form	Rotation	Outlet positions	Design
Omit- Using antiwear oil or phosphate ester fluid.	IVP(Q)1	2, 3, 4, 5, 6, 7, 8, 10, 11, 12, 14	F- Flange mounting. L- Foot mounting.	Viewed from shaft end of pump.	Viewed from cover end of pump.	10
F11- Using water glycol fluid.	IVP(Q)2	10, 12, 14, 15, 17, 19, 21, 25		R- Right hand for clockwise. L- Left hand for counter-clockwise.	A- opposite inlet port. B- 90°CCW from inlet.	10
F3- Using water-in-oil emulsions.	IVP(Q)3	17, 21, 25, 30, 32, 35, 38, 42		C- inline with inlet. D- 90°CW from inlet.	10	
	IVP(Q)4	30, 35, 38, 42, 50, 60, 67, 75		10		

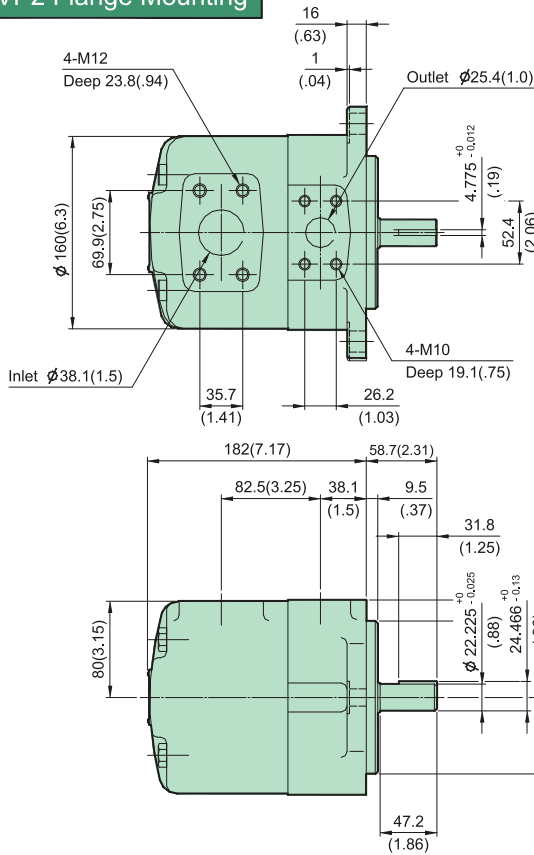
● Rated capacity in USgpm at 1200rpm and 6.9bar.

DIMENSIONS

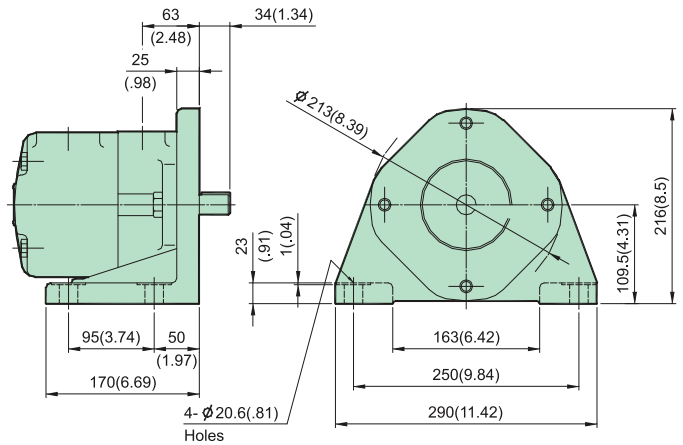
MILLIMETERS(INCHES)

B

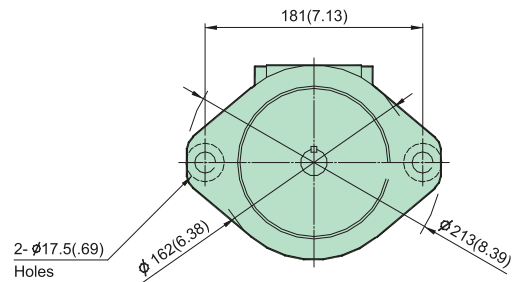
IVP2 Flange Mounting



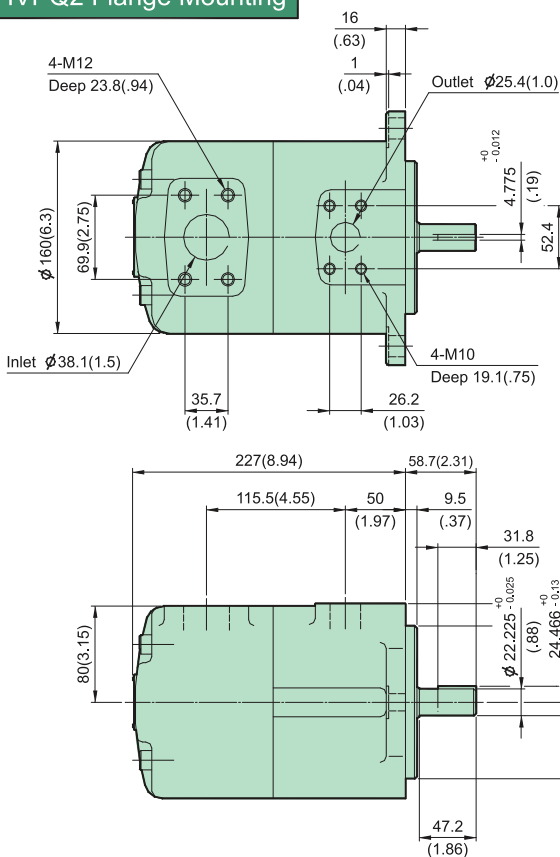
IVP2 Foot Mounting



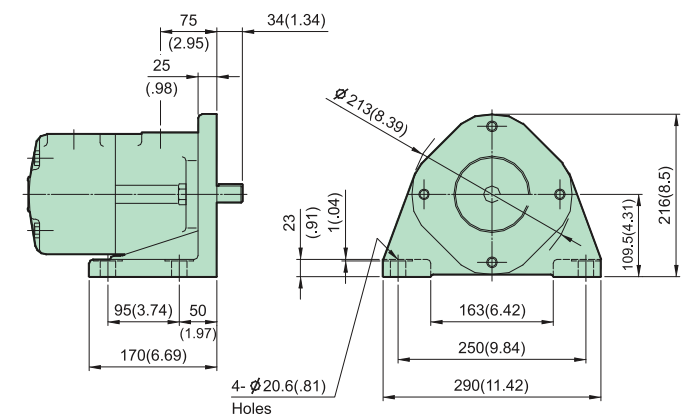
For other dimensions, refer to "Flange Mounting" type



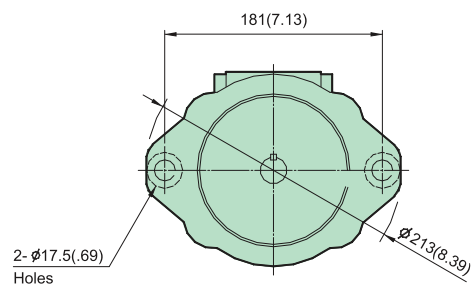
IVPQ2 Flange Mounting



IVPQ2 Foot Mounting



For other dimensions, refer to "Flange Mounting" type



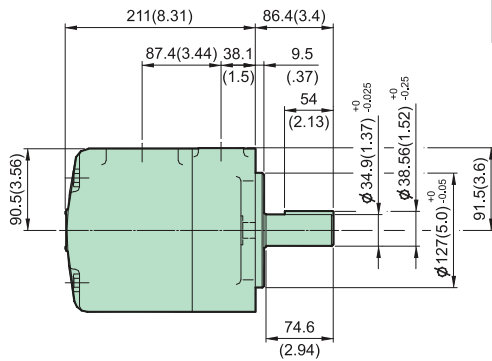
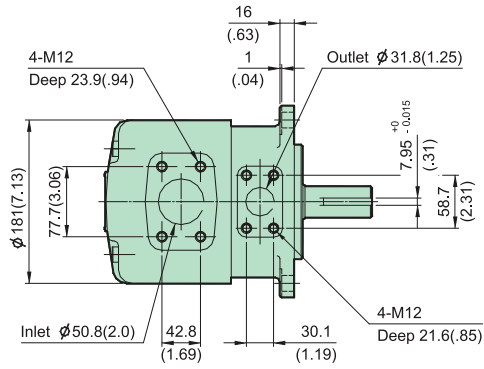


DIMENSIONS

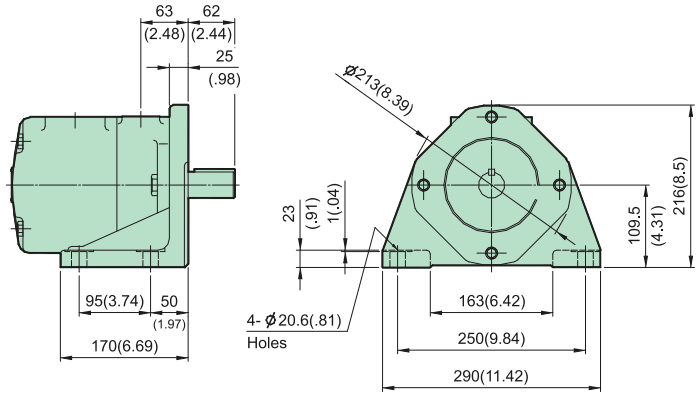
MILLIMETERS(INCHES)

B

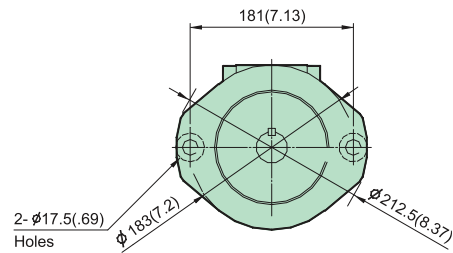
IVP3 Flange Mounting



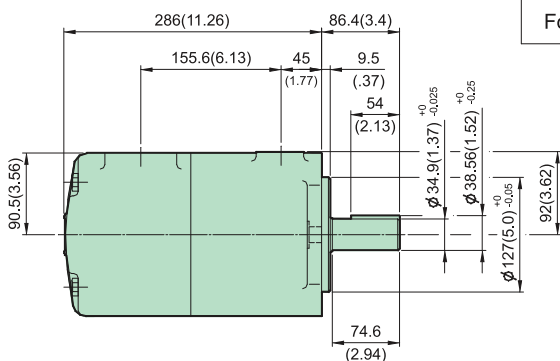
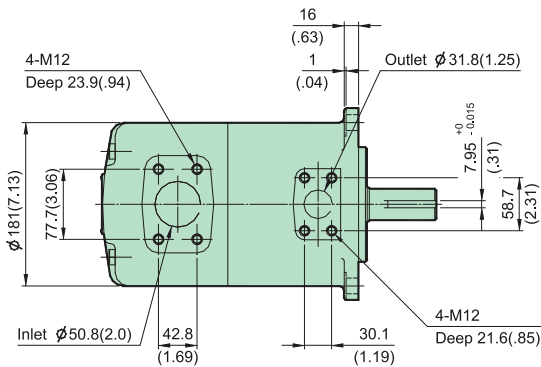
IVP3 Foot Mounting



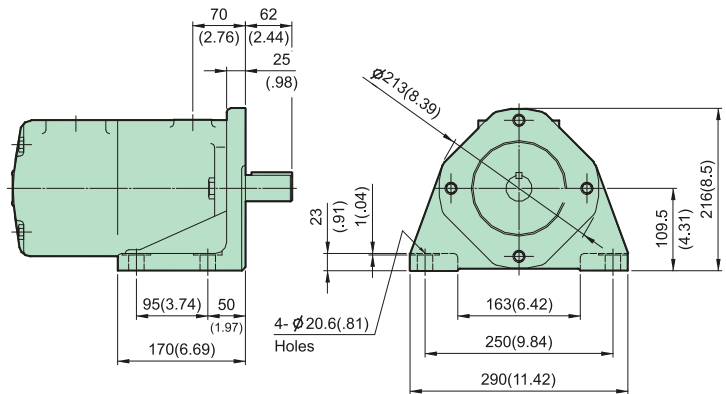
For other dimensions, refer to "Flange Mounting" type



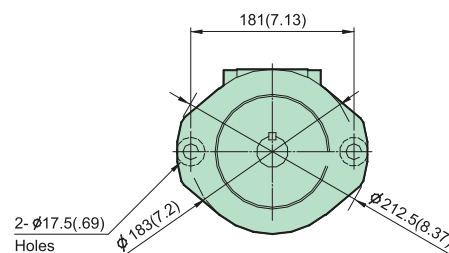
IVPQ3 Flange Mounting



IVPQ3 Foot Mounting



For other dimensions, refer to "Flange Mounting" type

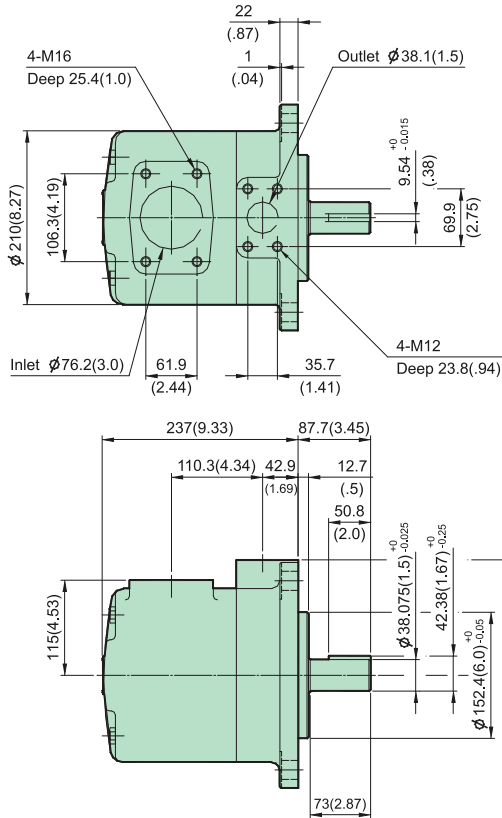


DIMENSIONS

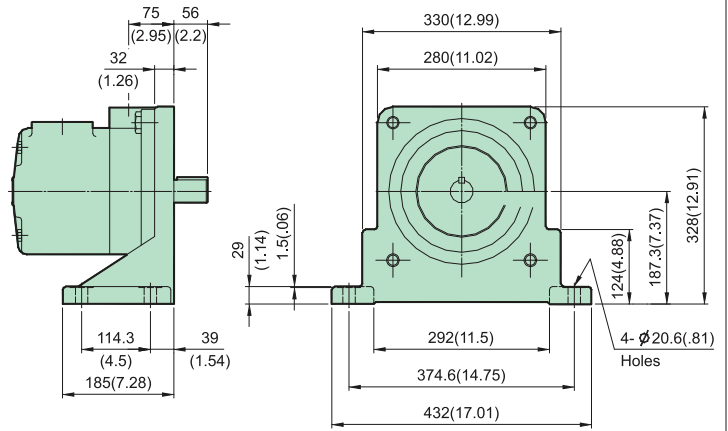
MILLIMETERS(INCHES)

B

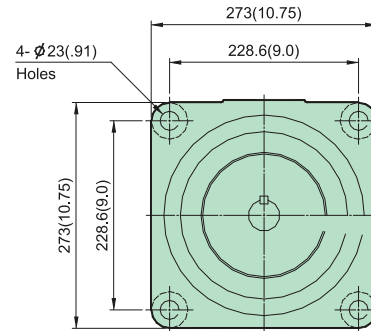
IVP4 Flange Mounting



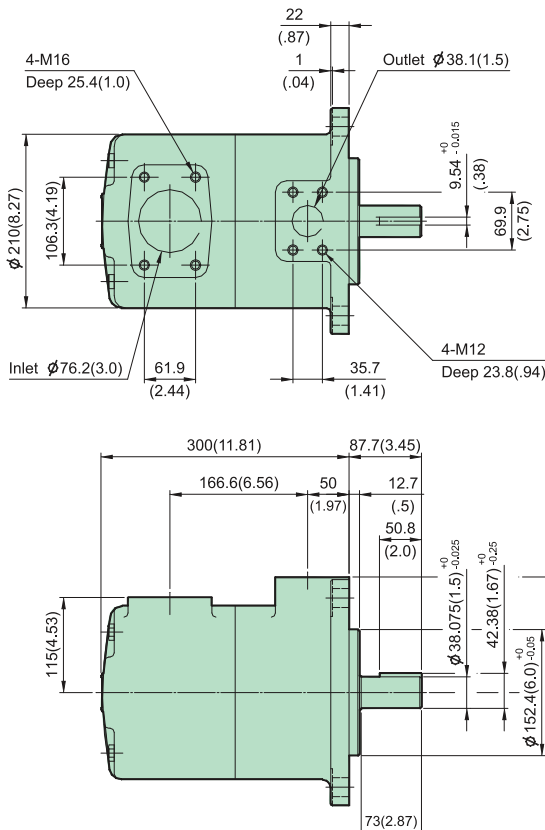
IVP4 Foot Mounting



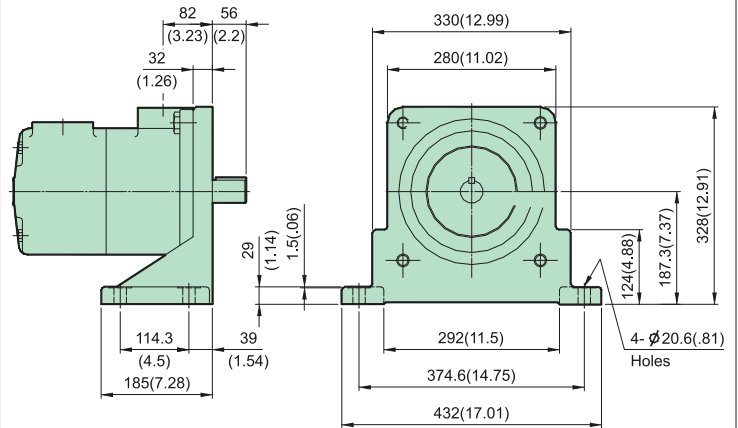
For other dimensions, refer to "Flange Mounting" type



IVPQ4 Flange Mounting



IVPQ4 Foot Mounting



For other dimensions, refer to "Flange Mounting" type

