

Electromagnetic Clutch

(10 daNm) Reversible

Code: 30901-P/12

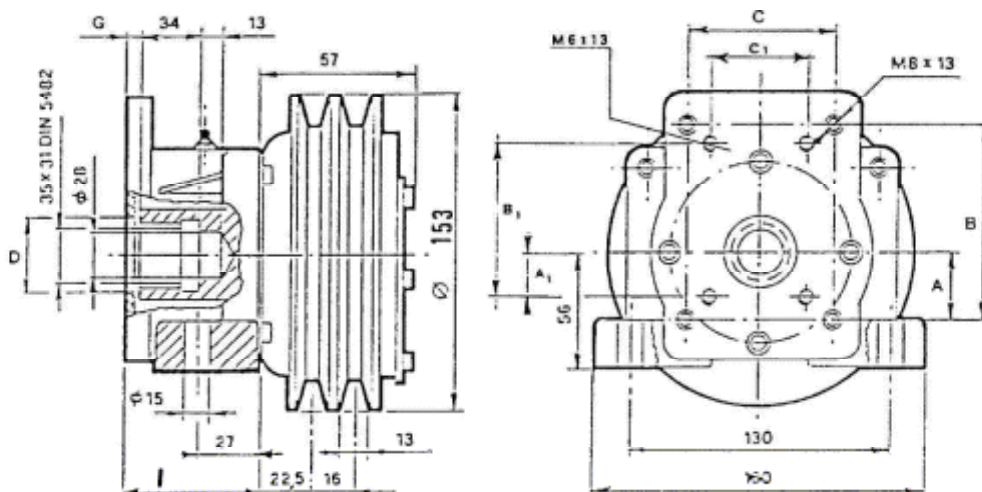
Input Shaft 35 x 31 DIN 5482

Spigot 25.4/36.5 For gear pumps GP 1 & 2



CODE : 30901-P / 12 (voltage : 12 v DC)

CODE : 30903-P / 24 (voltage : 24 v DC)



Nominal torque	7,8 daNm		Connection time	25 msec.
Static torque	12,5 daNm		Disconnection time	40 msec.
Dynamic torque	8,5 daNm	at 500 rpm	Minimum time between two connections	20 sec
	7,0 daNm	at 1000 rpm		
	4,2 daNm	at 1500 rpm		
	3,5 daNm	at 2000 rpm	Max. speed	5000 rpm
	2,7 daNm	at 2500 rpm	Weight	6 Kg
	2,5 daNm	at 3000 rpm		

Electric absorption	Resistance (Ω)		Current (A)		Power (w)	
	20 °C	120 °C	20 °C	120 °C	20 °C	120 °C
12 v DC	2,54	3,55	4,72	3,38	56,7	40,5
24 v DC	10,60	14,90	2,25	1,61	55,0	38,7

All technical data are at 20 °C . At 120 °C the performances are less 20 %

All electromagnetic clutches are reversible .

All sizes are in millimeters

A	B	C	DH7	G	I	A ₁	B ₁	C ₁
32,5	96	71,4	36,5	6,5	70,5	26,3	72	52,4



Electromagnetic Clutch

(14 daNm) Reversible

Code: 30929-P/12

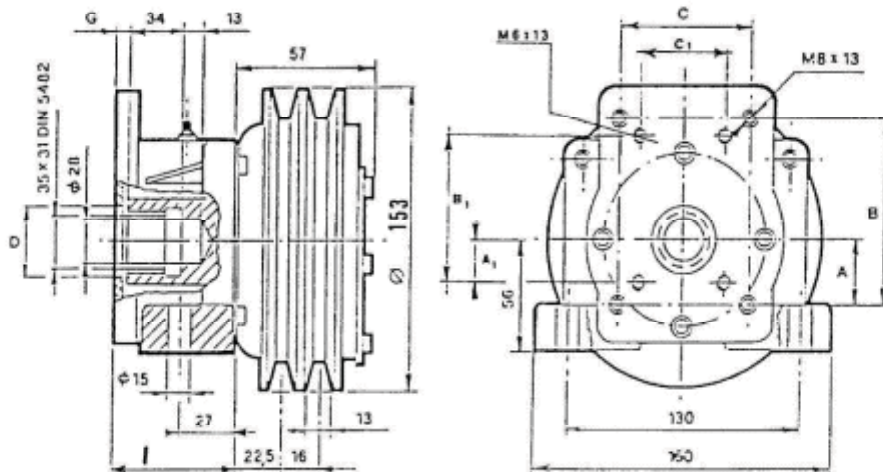
Input Shaft 35 x 31 DIN 5482 Z18

Spigot 25.4/36.5 For gear pumps GR 1 & 2



CODE : 30929-P / 12 (voltage : 12 v DC)

CODE : 30930-P / 24 (voltage : 24 v DC)



Nominal torque	11,8 daNm		Connection time	25 msec.
Static torque	15 daNm		Disconnection time	40 msec.
Dynamic torque	12,5 daNm	at 500 rpm	Minimum time between two connections	20 sec
	11,0 daNm	at 1000 rpm		
	8,2 daNm	at 1500 rpm		
	7,5 daNm	at 2000 rpm	Max. speed	5000 rpm
	6,7 daNm	at 2500 rpm	Weight	6 Kg
6,5 daNm	at 3000 rpm			

Electric absorption	Resistance (Ω)		Current (A)		Power (w)	
	20 °C	120 °C	20 °C	120 °C	20 °C	120 °C
12 v DC	2,54	3,55	4,72	3,38	56,7	40,5
24 v DC	10,60	14,90	2,25	1,61	55,0	38,7

All technical data are at 20 °C . At 120 °C the performances are less 20 % .

All electromagnetic clutches are reversible .

All sizes are in millimeters .

A	B	C	D H7	G	I	A₁	B₁	C₁
32,5	96	71,4	36,50	6,5	70,5	26,3	72	52,4



Electromagnetic Clutch

(21 daNm) Reversible

Code: 30990-P/12

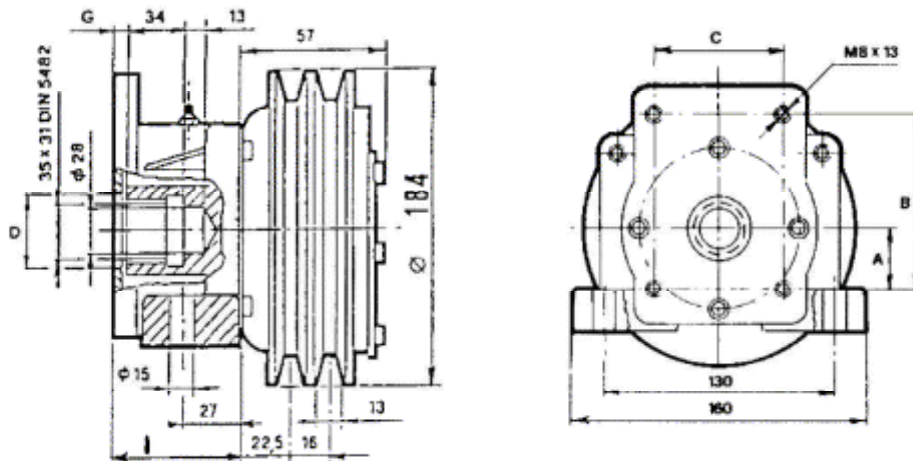
Input Shaft 35 x 31 DIN 5482 Z18

Spigot 36.5 For gear pumps GR 2



CODE : 30990-P / 12 (voltage : 12 v DC)

CODE : 30991-P / 24 (voltage : 24 v DC)



Nominal torque	16 daNm		Connection time	25 msec.
Static torque	21 daNm		Disconnection time	40 msec.
Dynamic torque	14,5 daNm	at 500 rpm	Minimum time between two connections	20 sec
	12,0 daNm	at 1000 rpm		
	9,5 daNm	at 1500 rpm		
	8,8 daNm	at 2000 rpm	Max. speed	5000 rpm
	8,0 daNm	at 2500 rpm	Weight	9,5 Kg
	7,8 daNm	at 3000 rpm		

Electric absorption	Resistance (Ω)		Current (A)		Power (w)	
	20 °C	120 °C	20 °C	120 °C	20 °C	120 °C
12 v DC	2,96	3,97	4,05	2,71	48,7	32,5
24 v DC	12,3	16,60	1,95	1,31	47	30,7

All technical data are at 20 °C . At 120 °C the performances are less 20 % .

All electromagnetic clutches are reversible .

All sizes are in millimeters .

A	B	C	D H7	G	I
32,5	96	71,4	36,50	6,5	70,5



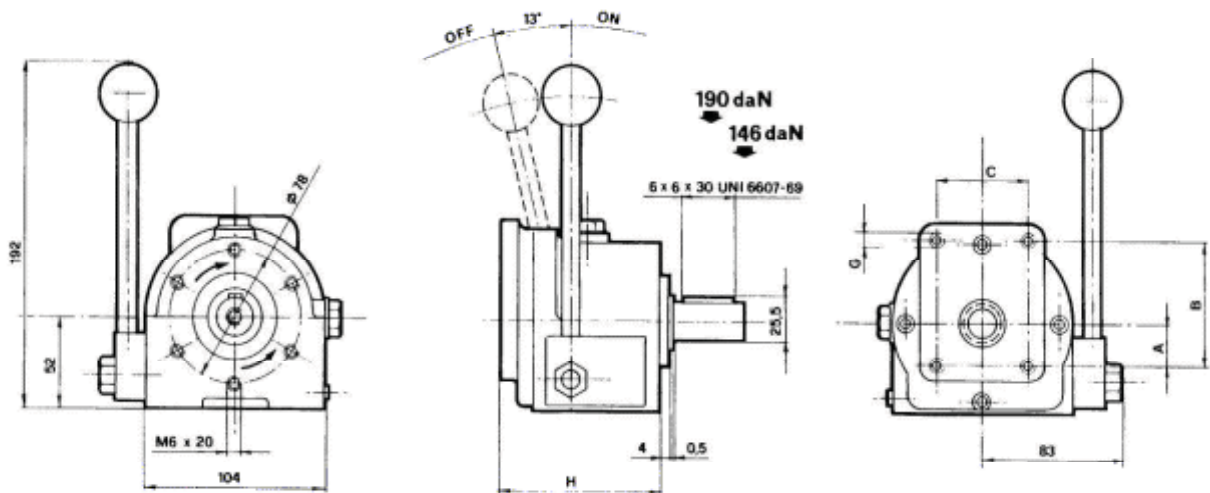
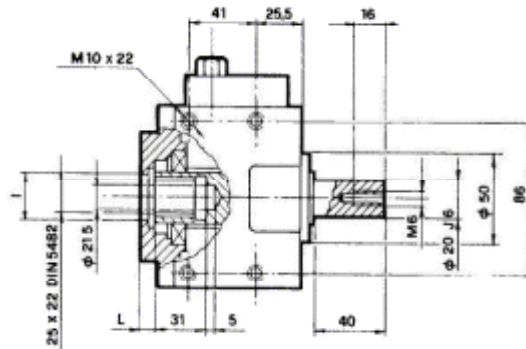
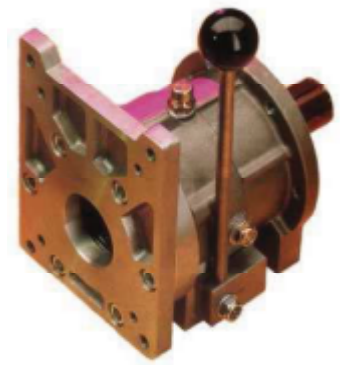
Mechanical Clutch

(9 daNm) Reversible

Code: 30100/RV

Input Shaft 25 x 22 DIN 5482 Z14

Spigot 25.4/36.5 For gear pumps GR 1 & 2



Nominal torque	9 daNm
Max. speed	2000 rpm
Max. power output	HP 48
Axial load	120 daN

All sizes are in millimeters .

GR. 2	A	B	C	G	H	I	L
	32,5	96	71,4	M8x15	95,5	36,5	10
GR. 1 (with reduction ring)	A ₁	B ₁	C ₁	G ₁	H	I	L
	26,3	72	52,4	M6x12	95,5	25,4	10



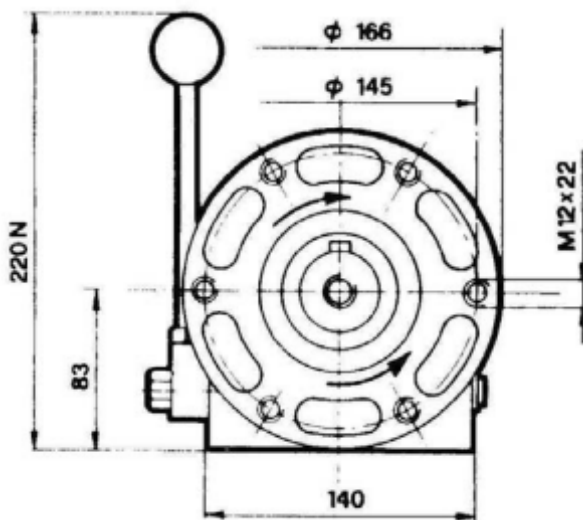
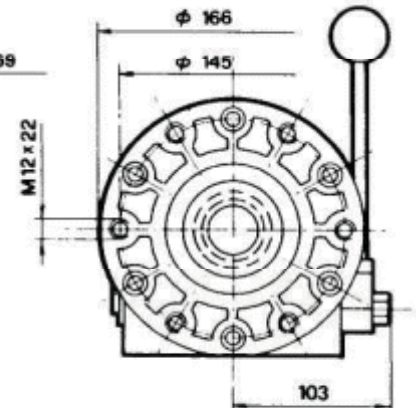
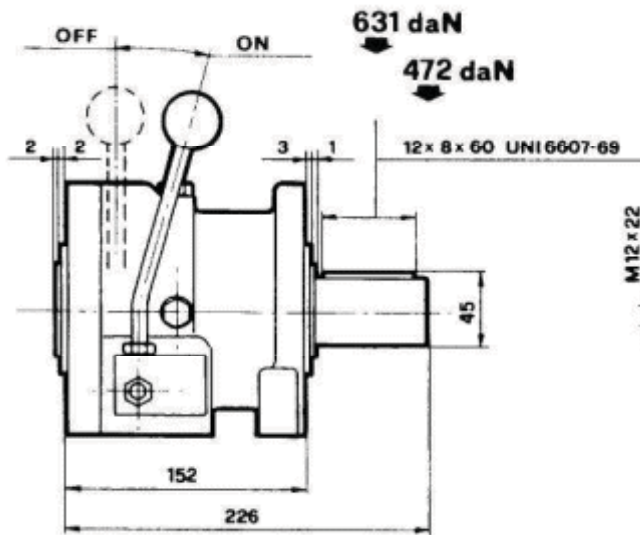
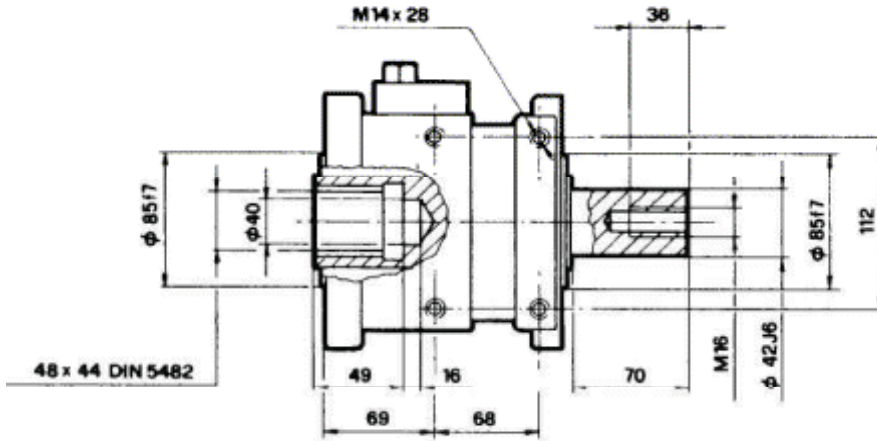
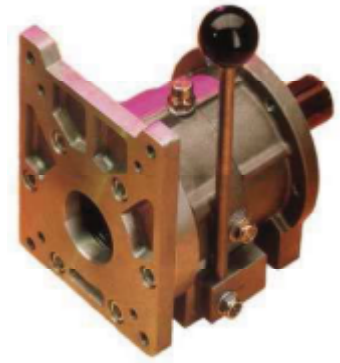
Mechanical Clutch

(58 daNm) Reversible

Code: 30500 / RV

Input Shaft 48 x 44 DIN 5482 Z 23

Spigot 85 For gear pumps GR 3.5 / 4

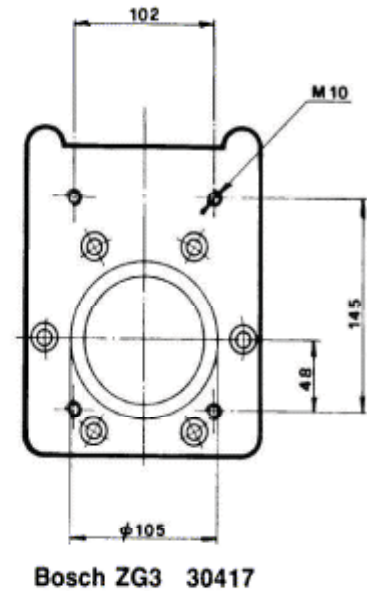
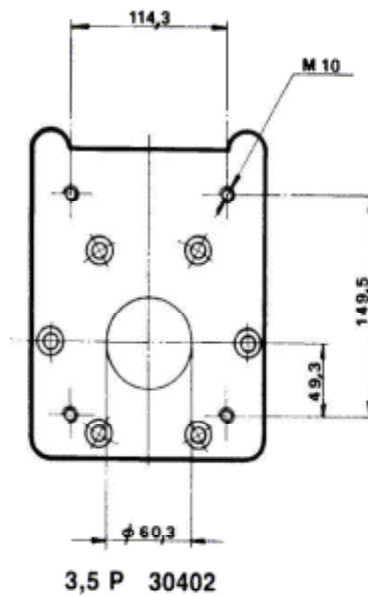
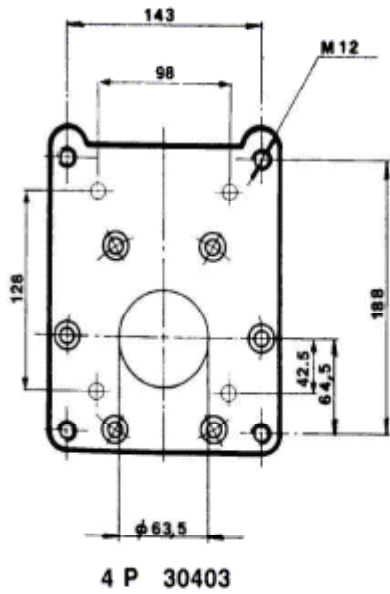
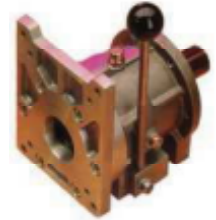


Nominal torque	58 daNm
Max. speed	2700 rpm
Max. power output	HP 100
Axial load	260 daN



Front bearing support for Gear pumps Group 1, 2, 3

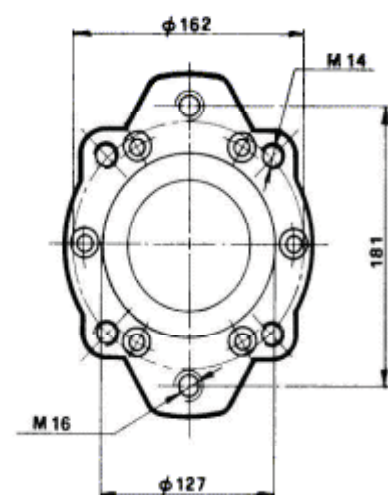
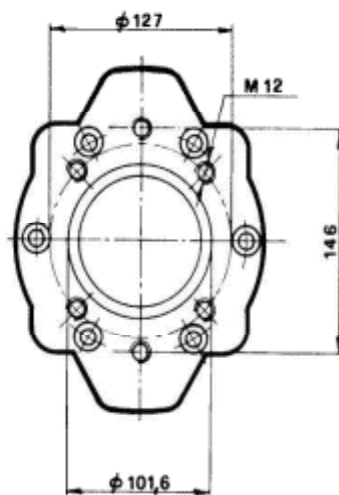
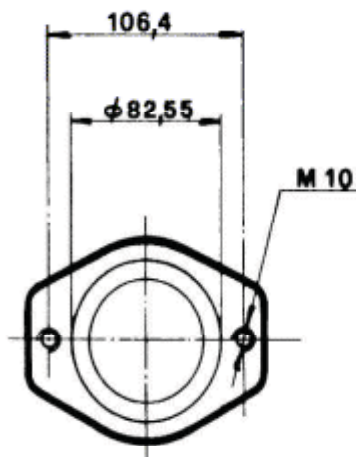
With parallel output shaft



30401 for GR. 3 pumps
30403 for GR. 4 pumps

30402 for GR.3,5 pumps

30417 for BOSCH ZG3
pumps



30422 SAE B 4 holes

30432 SAE C 4 holes

