

DIVERTER VALVES

DF



Spool diverter valves for flow up to 220 l/min (58 US gpm) and pressure up to 350 bar (5100 psi). Made in special high resistance cast iron with a nickel-plated carbon steel spool. Circuit can be 2-3-6 way. Standard operation is manual but pneumatic hydraulic, electro-hydraulic controls are also available.



Leakage at 100 bar (1500 psi) and 33 mm²/s 8 cm³/min 0.50 in³/min

STANDARD AVAILABLE THREADS

Type	Max recommended flow		Max. pressure		Circuit type	Available threads			
	l/min	US gpm	bar	psi		Metric (ISO 262-ISO 6149)	BSP	NPT (ANSI B1.20.1)	SAE (ISO 725)
DF 5	60	16	350	5100	2-3-6 way	M18 x 1,5	G3/8	3/8-18	SAE 8
DF 10	90	24			2-3-6 way	M22 x 1,5	G1/2	1/2-14	SAE 10
DF 20	140	37			2-3-6 way	—	G3/4	3/4-14	SAE 12
DF 25	220	58			2-3 way	—	G 1	1-11.5	SAE 16

CIRCUIT TYPE

WAY	SCHEME	DESCRIPTION	PRESSURE DROP CURVES
2 NA		2 way circuit. A and P connected in rest position.	<div style="display: flex; justify-content: space-around;"> <div style="text-align: center;"> <p>2NA</p> </div> <div style="text-align: center;"> <p>2NC</p> </div> </div>
2 NC		2 way circuit. A and P closed in rest position.	
2 VR		2 way circuit, A-P closed with uni-directional valve in rest position.	
3 A		3 way circuit. A and B ports connected in central position.	<div style="display: flex; justify-content: space-around;"> <div style="text-align: center;"> <p>3A</p> </div> <div style="text-align: center;"> <p>3B</p> </div> </div>
3 B		3 way circuit. A and B ports closed in central position.	
3 D		3 way circuit. Ports closed in rest position. 2 position.	
6 A		6 way circuit, ports connected in central position.	<div style="display: flex; justify-content: space-around;"> <div style="text-align: center;"> <p>6A</p> </div> <div style="text-align: center;"> <p>6B</p> </div> </div>
6 B		6 way circuit, ports closed in central position.	

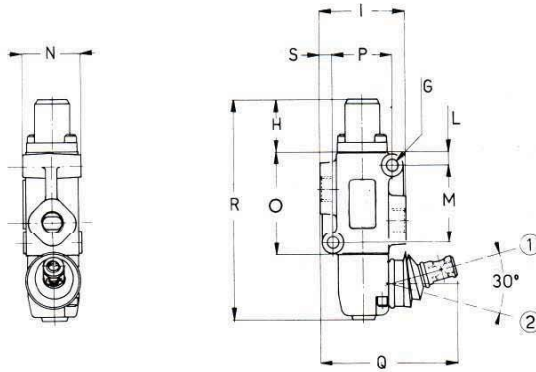
DIVERTER VALVES

DF



2 way diverter valve.

DF../2

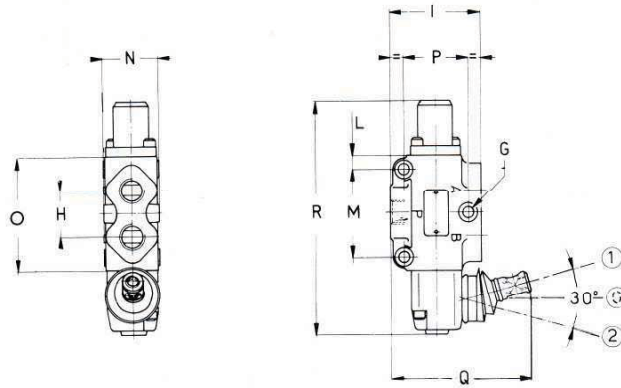


Note: for DF10-DF20-DF25 units the 2 way version is obtained by plugging A or B port of a DF../3.

Type	G		H		I		L		M		N		O		P		Q		R		S		Weight	
	mm	in	mm	in	mm	in	mm	in	mm	in	mm	in	mm	in	mm	in	mm	in	mm	in	mm	in	Kg	lb
DF 5/2	8,5	0.35	36,5	1.44	60	2.36	9	0.35	54	2.13	40	1.58	72	2.83	42	1.65	95	3.74	152,5	6.00	9	0.35	1	2.2

3 way diverter valves.

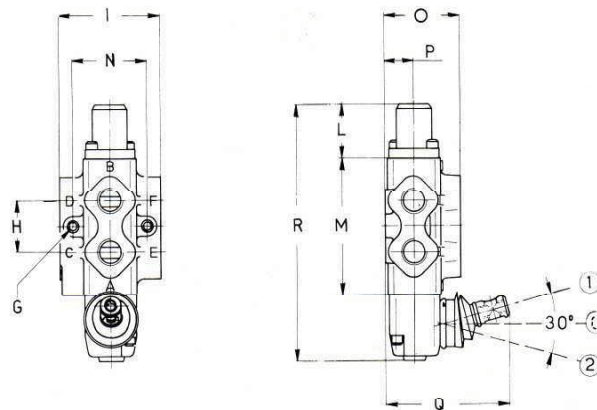
DF../3



Type	G		H		I		L		M		N		O		P		Q		R		Weight	
	mm	in	mm	in	mm	in	mm	in	mm	in	mm	in	mm	in	mm	in	mm	in	mm	in	Kg	lb
DF 5/3	6,5	0.26	32	1.25	64	2.52	9	0.35	60	2.36	40	1.57	78	3.07	45	1.77	97	3.81	158,5	6.24	1,3	2.9
DF 10/3	8,5	0.35	36	1.42	70	2.76	10	0.39	65	2.56	45	1.77	85	3.35	50	1.96	114	4.49	203,5	7.99	1,9	4.2
DF 20/3	10,5	0.41	52	2.05	85	3.35	12,5	0.49	85	3.35	55	2.17	110	4.33	60	2.36	133,5	5.26	248	9.65	3,7	8.1
DF 25/3	10,5	0.41	56	2.20	104	4.09	15	0.59	90	3.54	66	2.60	120	4.72	70	2.75	143	5.63	278	10.94	5,2	11.4

6 way diverter valves.

DF../6



Type	G		H		I		L		M		N		O		P		Q		R		Weight	
	mm	in	mm	in	mm	in	mm	in	mm	in	mm	in	mm	in	mm	in	mm	in	mm	in	Kg	lb
DF 5/6	6,5	0.26	34	1.34	70	2.76	36,5	1.44	93	3.66	52	2.05	52	2.05	20	0.79	85	3.34	173,5	6.83	1,5	3.3
DF 10/6	8,5	0.33	43	1.69	85	3.35	51	2.01	110	4.33	65	2.56	60	2.36	23	0.91	102	4.02	228,5	8.97	2,7	5.9
DF 20/6	10,5	0.41	60	2.36	100	3.94	61	2.40	142	5.59	75	2.95	71	2.80	28	1.10	119	4.69	280	11.2	5,1	11.2

DIVERTER VALVES

DFE

2-3-6 way position diverter valves with solenoid control and spring return. The solenoid acts by pushing on the spool and it is fitted with an emergency push button.



Leakage at 100 bar (1500 psi) and 33 mm²s 20 cm³/min 1.20 in³/mm

2 way diverter valve.

DF../2

Note: for DF10-DF20-DF25 units the 2 way version is obtained by plugging A or B port of a DF../3.

Type	G		H		I		L		M		N		O		P		Q		R		S		Weight	
	mm	in	mm	in	mm	in	mm	in	mm	in	mm	in	mm	in	mm	in	mm	in	mm	in	mm	in	Kg	lb
DF 5/2	8,5	0.35	36,5	1.44	60	2.36	9	0.35	54	2.13	40	1.58	72	2.83	42	1.65	95	3.74	152,5	6.00	9	0.35	1	2.2

3 way diverter valves.

DF../3

Type	G		H		I		L		M		N		O		P		Q		R		Weight	
	mm	in	mm	in	mm	in	mm	in	mm	in	mm	in	mm	in	mm	in	mm	in	mm	in	Kg	lb
DF 5/3	6,5	0.26	32	1.25	64	2.52	9	0.35	60	2.36	40	1.57	78	3.07	45	1.77	97	3.81	158,5	6.24	1,3	2.9
DF 10/3	8,5	0.35	36	1.42	70	2.76	10	0.39	65	2.56	45	1.77	85	3.35	50	1.96	114	4.49	203,5	7.99	1,9	4.2
DF 20/3	10,5	0.41	52	2.05	85	3.35	12,5	0.49	85	3.35	55	2.17	110	4.33	60	2.36	133,5	5.26	248	9.65	3,7	8.1
DF 25/3	10,5	0.41	56	2.20	104	4.09	15	0.59	90	3.54	66	2.60	120	4.72	70	2.75	143	5.63	278	10.94	5,2	11.4

6 way diverter valves.

DF../6

Type	G		H		I		L		M		N		O		P		Q		R		Weight	
	mm	in	mm	in	mm	in	mm	in	mm	in	mm	in	mm	in	mm	in	mm	in	mm	in	Kg	lb
DF 5/6	6,5	0.26	34	1.34	70	2.76	36,5	1.44	93	3.66	52	2.05	52	2.05	20	0.79	85	3.34	173,5	6.83	1,5	3.3
DF 10/6	8,5	0.33	43	1.69	85	3.35	51	2.01	110	4.33	65	2.56	60	2.36	23	0.91	102	4.02	228,5	8.97	2,7	5.9
DF 20/6	10,5	0.41	60	2.36	100	3.94	61	2.40	142	5.59	75	2.95	71	2.80	28	1.10	119	4.69	280	11.2	5,1	11.2