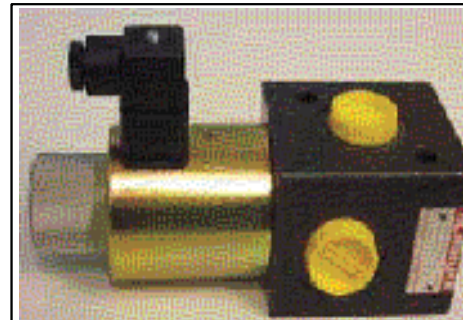




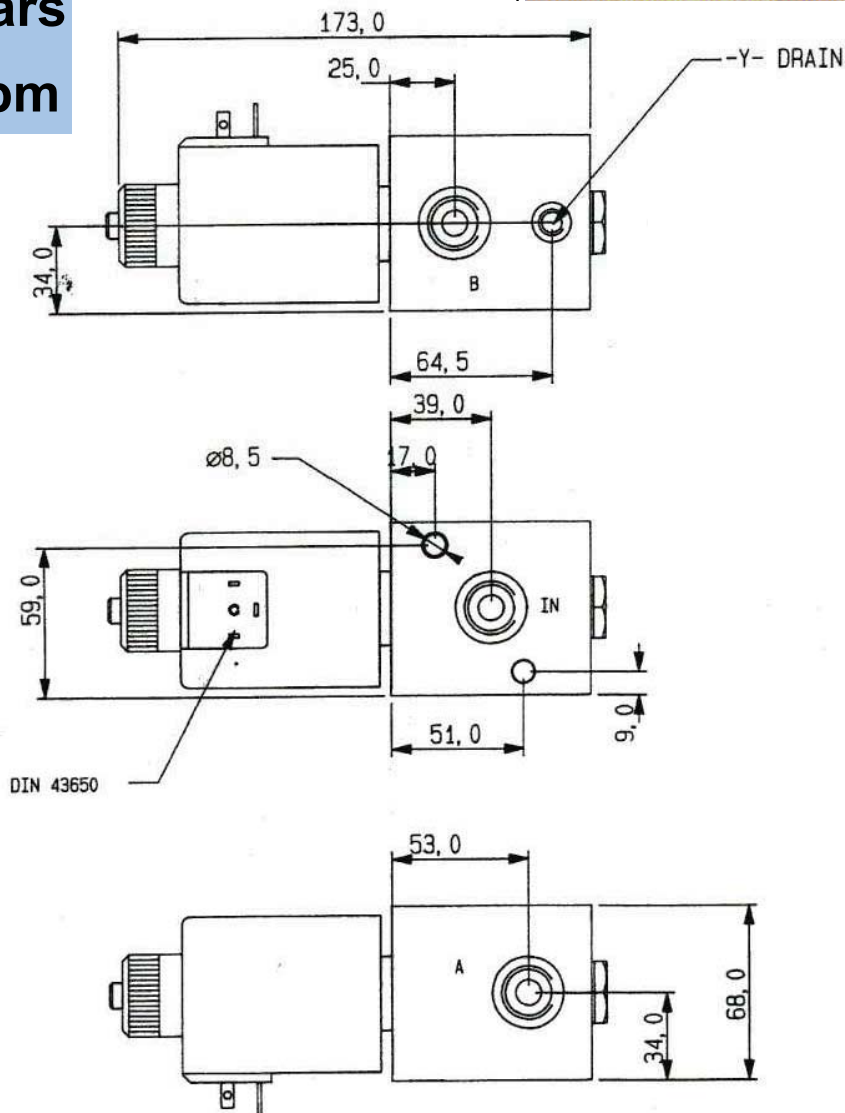
# Solenoid Diverter



## Three Port Solenoid 1/2" BSP 12V DC / 24V DC



**Max 210 Bars**  
**Max 75 Lpm**



Part No	Port	Flow	Control
EDF 10 3 2-24DC	1/2" BSP	75 Lpm	Detent
EDF 10 3 2-12DC	1/2" BSP	75 Lpm	Detent

TEL:01724-279508

MA Hydraulics Ltd

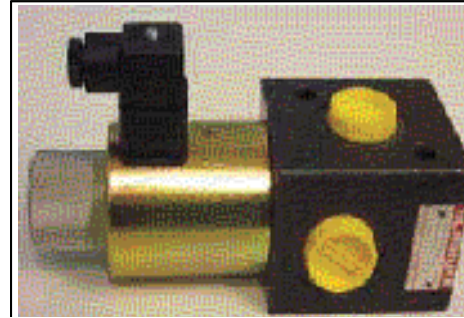
FAX:01724-279509



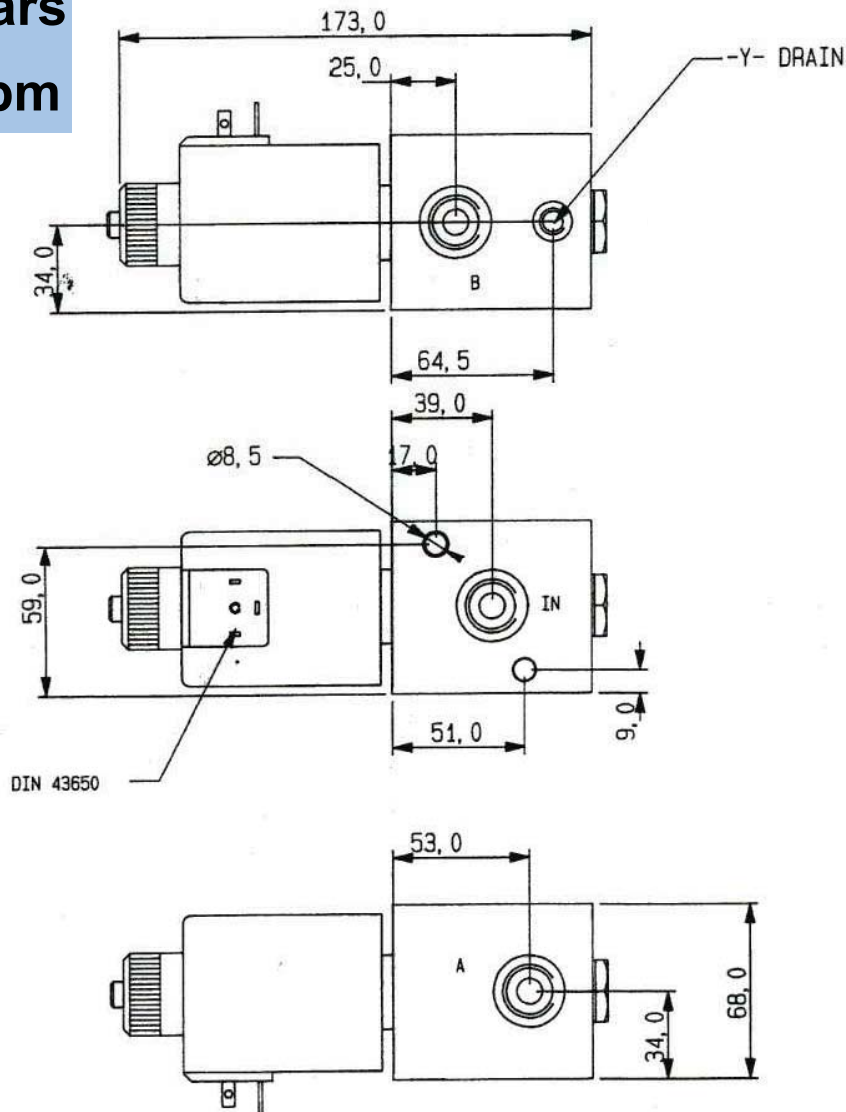
# Solenoid Diverter



## Three Port Solenoid 3/4" BSP 12V DC / 24V DC



Max 210 Bars  
Max 120 Lpm

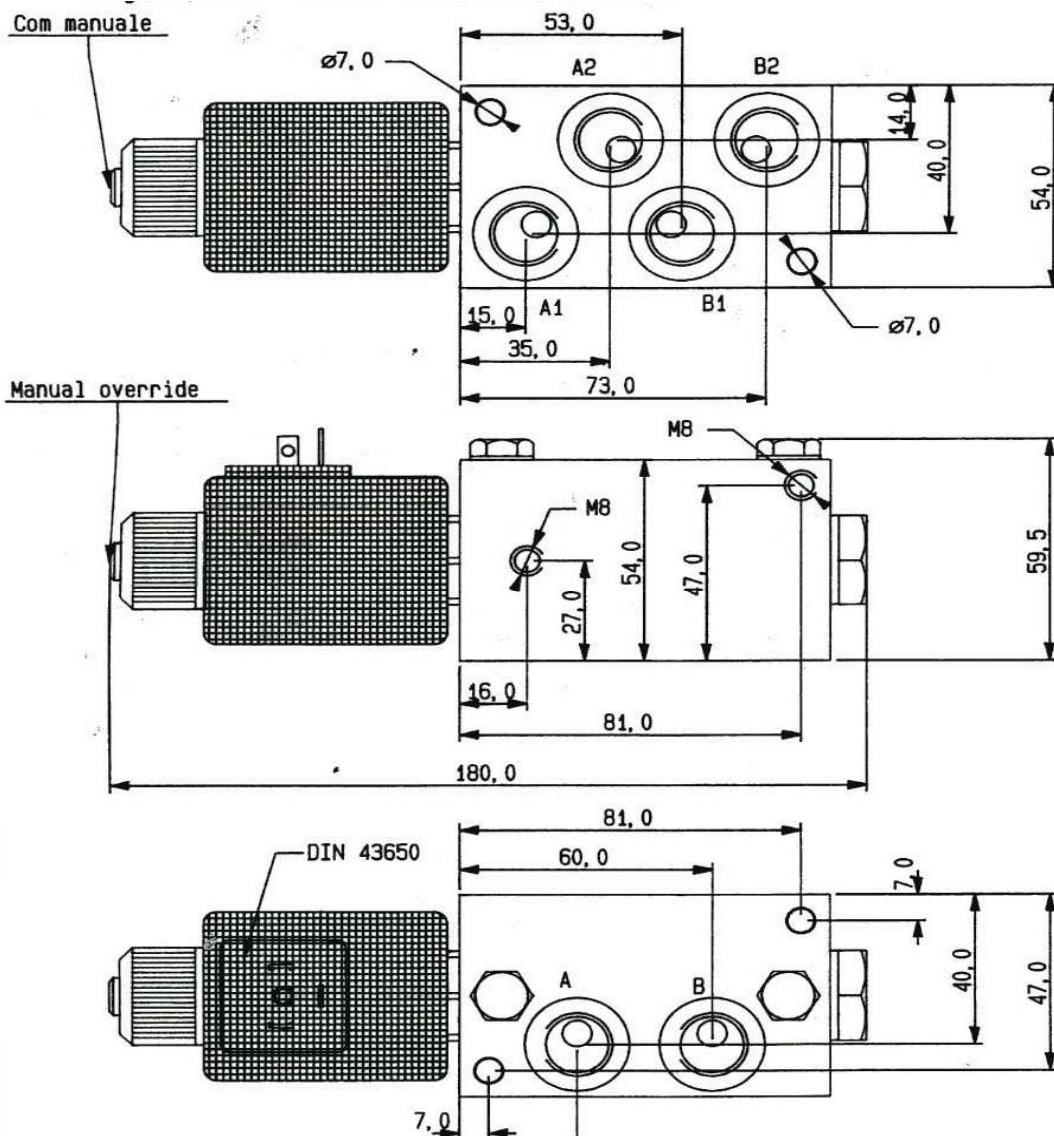
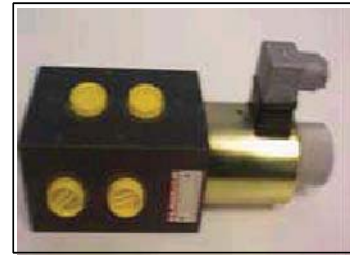


Part No	Port	Flow	Control
EDF 12 3 2-24DC	3/4" BSP	120 Lpm	Detent
EDF 12 3 2-12DC	3/4" BSP	120 Lpm	Detent

## Six Port Solenoid

3/8" BSP

Max 210 Bars  
Max 120 Lpm



Part No	Port	Flow	Control
EDF 7 6 2 24VDC	3/8" BSP	45 Lpm	Solenoid
EDF 7 6 2 12VDC	3/8" BSP	45 Lpm	Solenoid

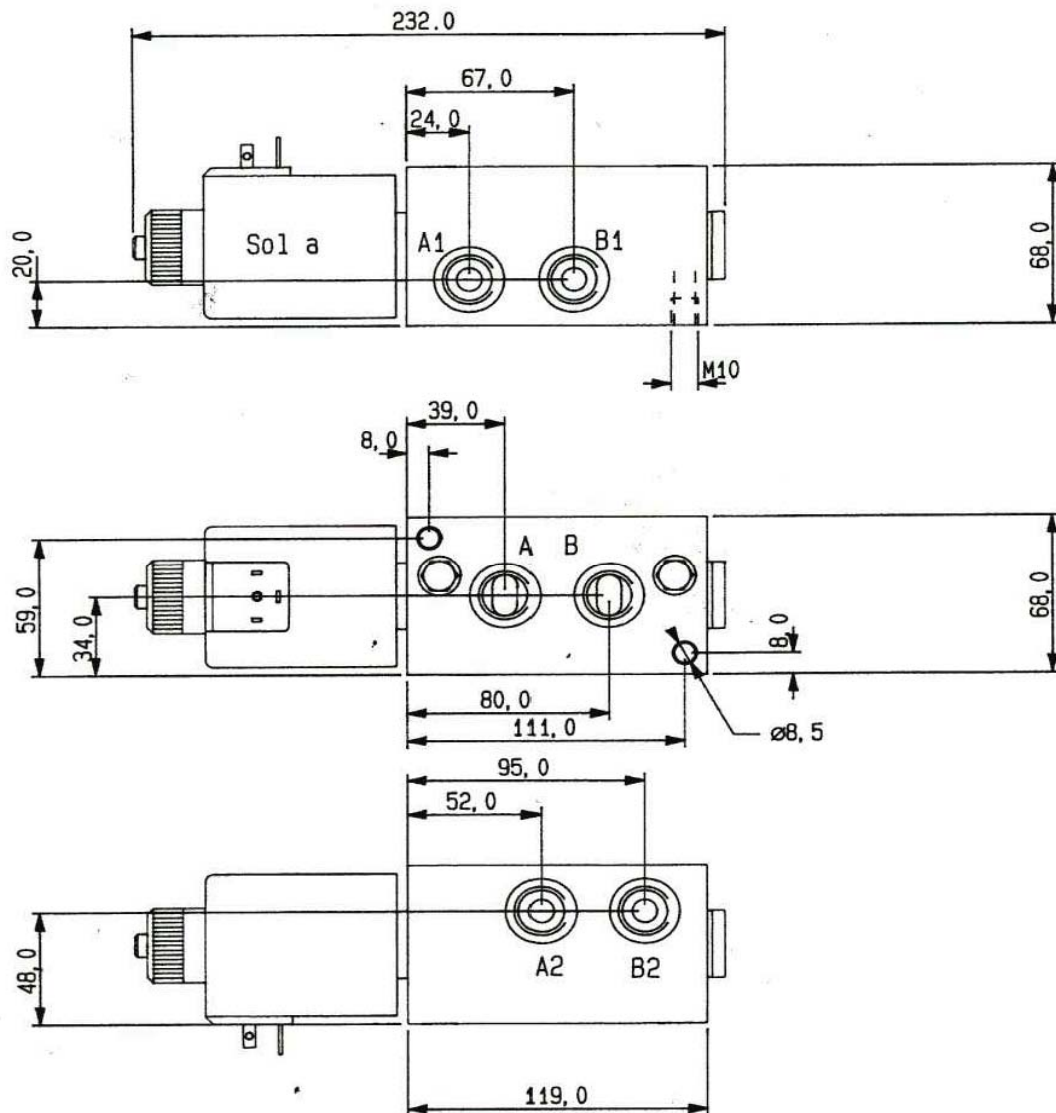
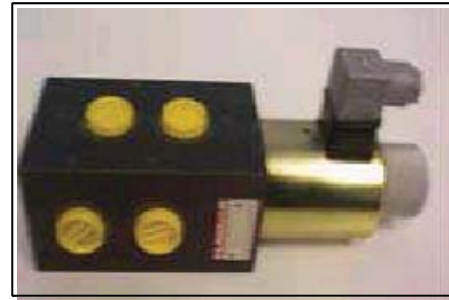


# Solenoid Diverter



**Six Port Solenoid**  
**1/2" BSP 12V DC / 24V DC**

**Max 210 Bars**  
**Max 75 Lpm**



Part No	Port	Flow	Control
EDF 10 6 2-24DC	1/2" BSP	75 Lpm	Solenoid
EDF 10 6 2-12DC	1/2" BSP	75 Lpm	Solenoid

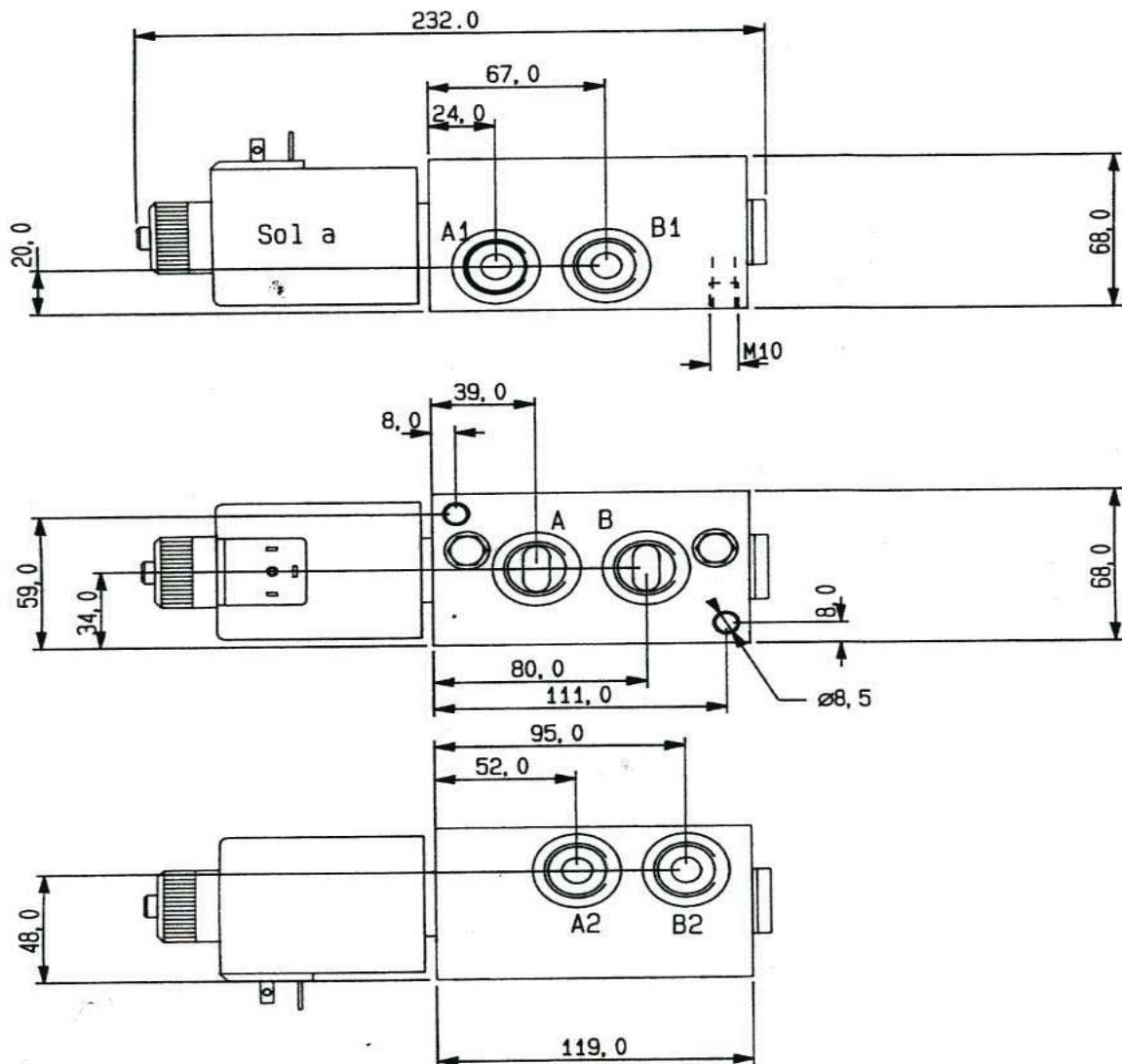


# Solenoid Diverter



**Six Port Solenoid**  
**3/4" BSP 12V DC / 24V DC**

**Max 210 Bars**  
**Max 120 Lpm**



Part No	Port	Flow	Control
EDF 12 6 2-24DC	3/4" BSP	120 Lpm	Solenoid
EDF 12 6 2-12DC	3/4" BSP	120 Lpm	Solenoid