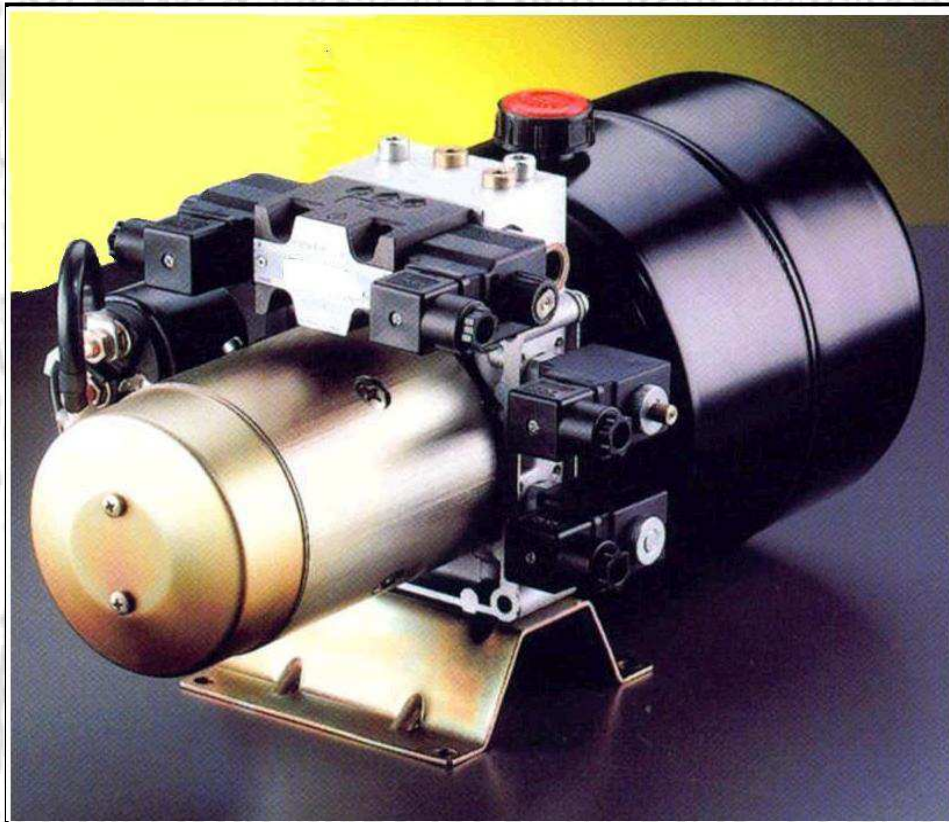


M A HYDRAULICS LTD



MAP POWER UNITS

12 / 24 Volt DC 2.0KW

220 Volt Single Phase 2.2KW

415 Volt Three Phase 5.5KW

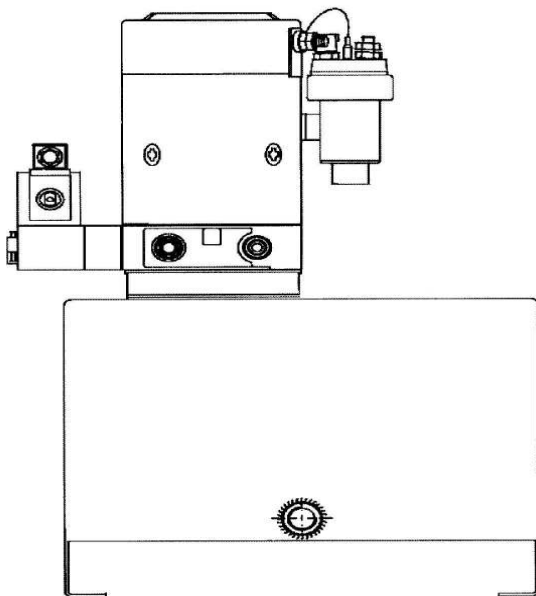
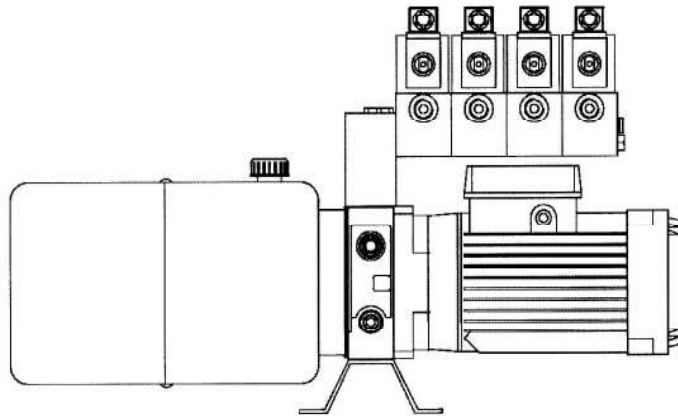
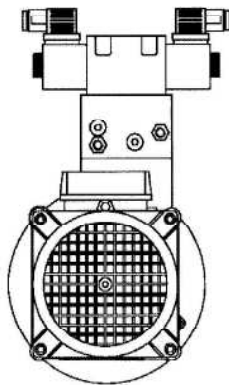
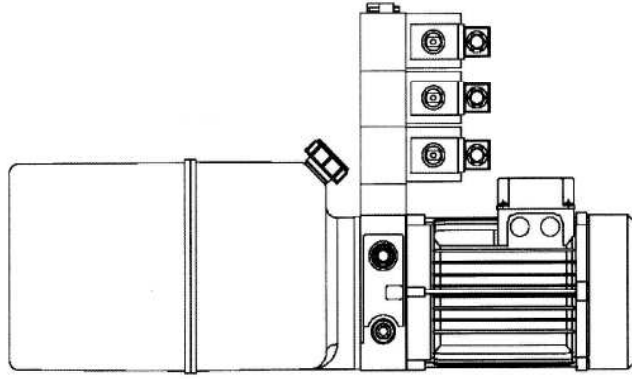
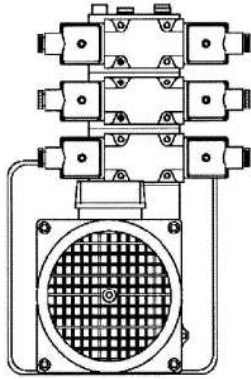
UNIT 11 - ASHLEY ESTATE - EXMOOR AVENUE - SCUNTHORPE - DN15 8NJ
TEL:01724-279508 FAX:01724-279509

E&OE



MAP Power Units

Mounting Styles



- Power unit can be supplied as in horizontal mountings format with reservoir capacities up to 12 Litres in vertical format with reservoirs of 15 or 30 Litres.
- In addition to solenoid operated gravity lowering valves, Cetop 3 direction controls can be mounted onto the power unit's centre housing. The Cetop 3 valves can be arranged to lie horizontally along the motor axis or at right angles.
- A full range of Cetop 3 pressure &



MAP Power Units

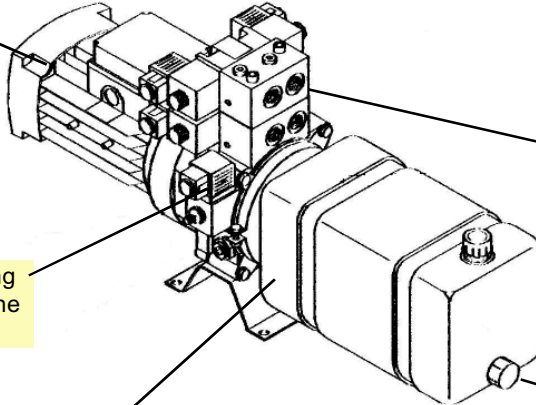
AC electric motors:
 Integrated up to 2 KW
 AC 3 Phase up to 5.5 KW
 DC motors up to 2.0 KW

Optional solenoid lowering
 valves integrated within the
 centre housing.

Pumps available from 0.9 cc/rev
 up to 9.8 cc/rev.

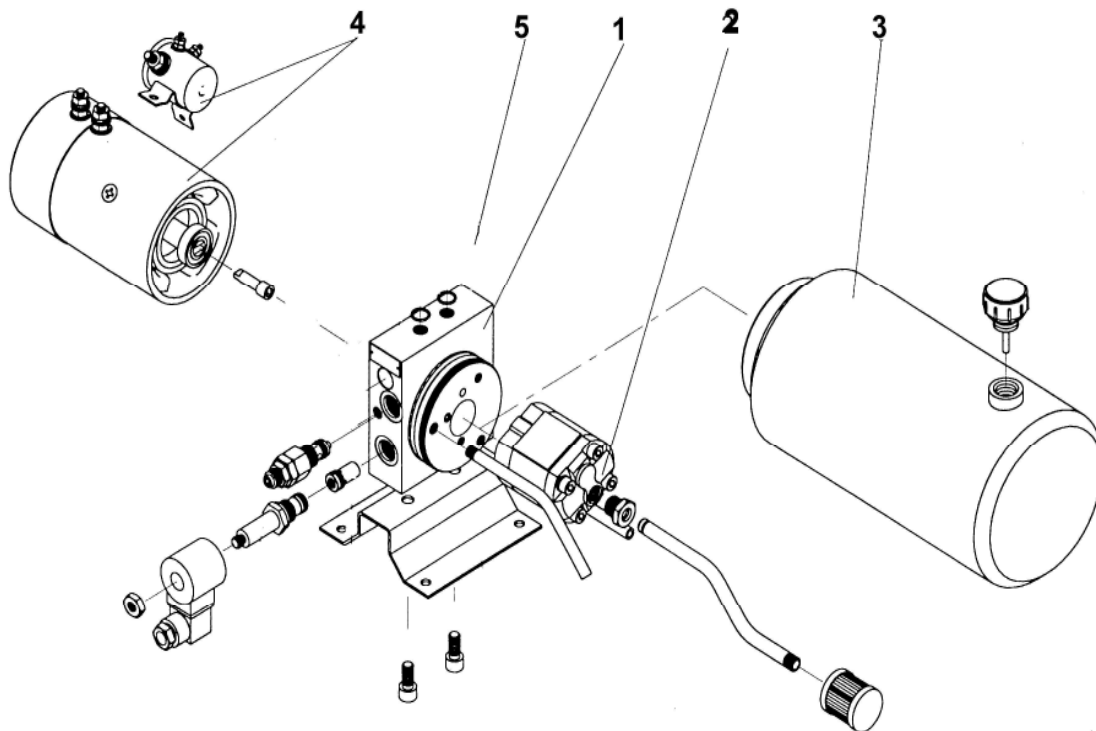
Cetop 3 directional valves up
 to 4 stations available with a
 variety of pressure and speed
 controls.

Reservoirs supplied as
 cylindrical horizontal
 mounting or rectangular
 vertical mounts.



1. Centre Housing c/w RV& NRV
2. Gear Pumps
3. Oil reservoir

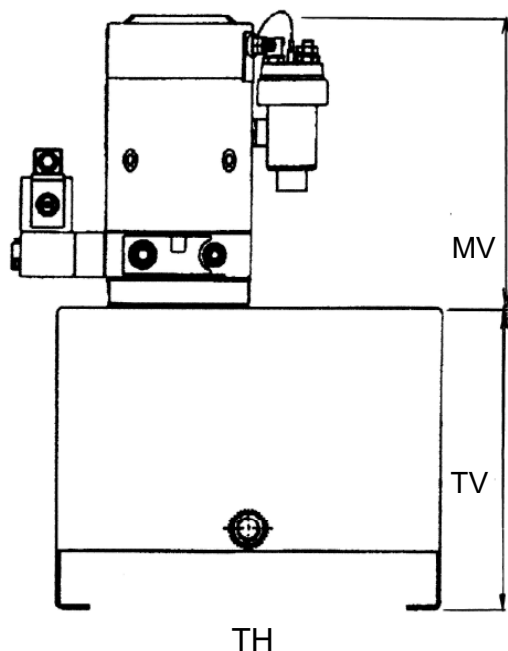
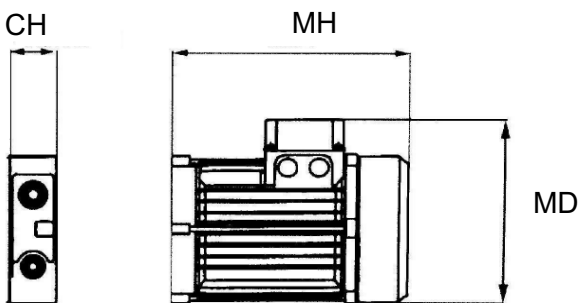
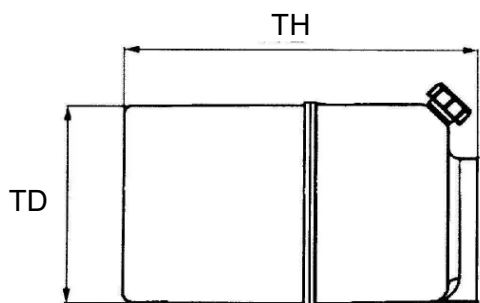
- 4 Electric Motor
5. Ports & Mounting Face
6. Solenoid Lowering





MAP Power Units

Dimensions



Dimension in mm	MH	MD	MV	CH
12 V 1.6 KW DC	188	115	243	40
24 V 2.0 KW DC	188	115	243	40
0.55KW 220 VAC	235	200	290	40
0.75KW 220 VAC	235	200	290	40
1.10KW 220 VAC	280	220	335	40
1.50KW 220 VAC	280	220	335	40
2.20KW 220 VAC	280	220	335	40
2.20KW 415 V-3P	280	220	335	40
3.00KW 415 V-3P	322	206	380	40
4.00KW 415 V-3P	362	228	420	40
5.50KW 415 V-3P	362	228	420	40

Solenoid lowering valves are available for 12 or 24 Volt supply and fit directly into the centre housing.

Pressure compensated flow controls can be supplied which fit in the centre housing beneath the solenoid lowering valve.

Foot mounting brackets also available all horizontal mounting power units.

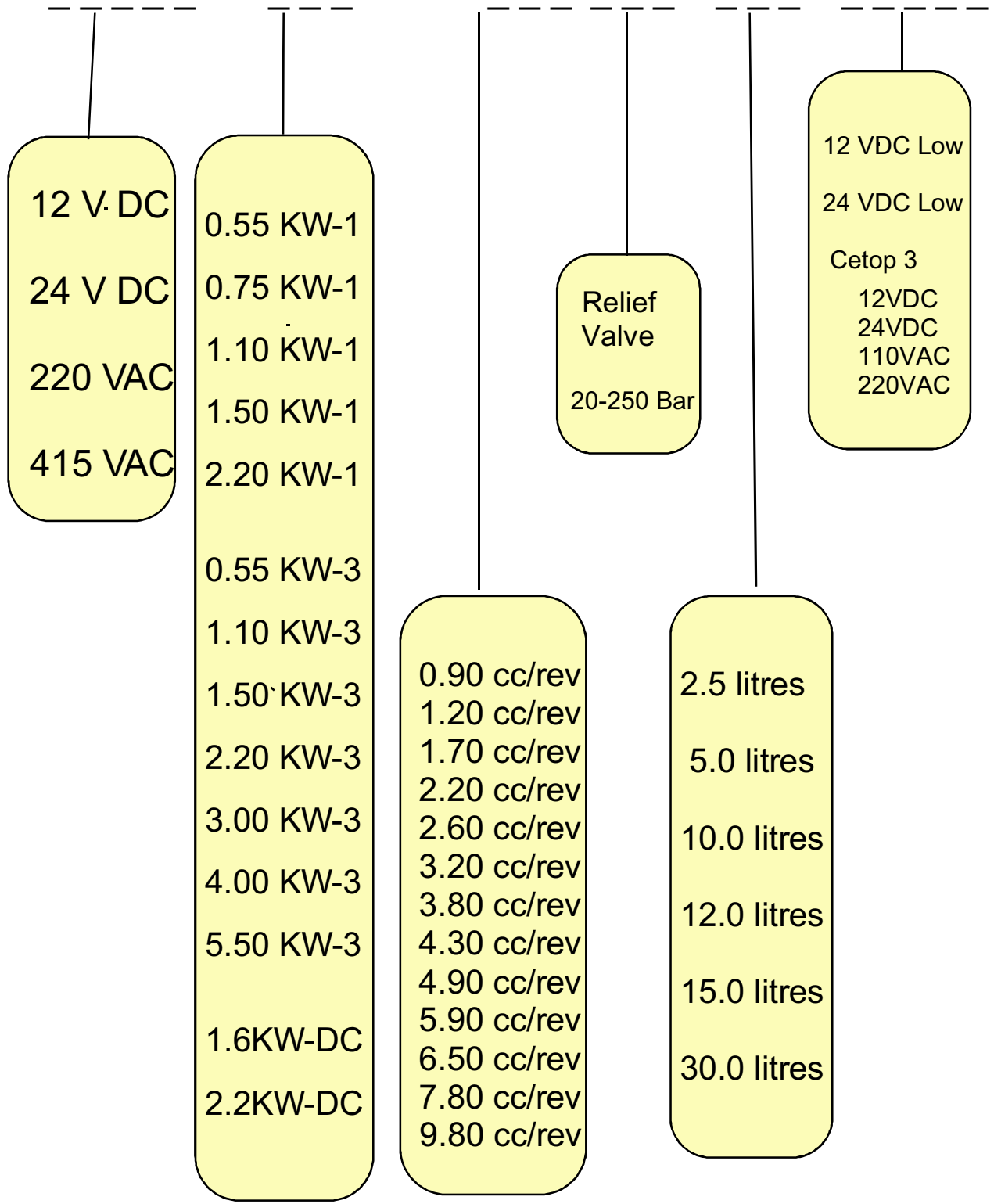
Dimension in mm	TH	TD	TV	CH
2.50 Litre Horizontal	240	135		40
5.00 Litre Horizontal	300	174		40
10.0 Litre Horizontal	262	224		40
12.0 Litre Horizontal	380	224		40
15.0 Litre Vertical	355	DP 256	180	40
30.0 Litre Vertical	350	DP 280	360	40



MAP Power Units

Ordering Code

12 VDC / 1.80 / 0.90 / 210 1012VDCL





MAP Power Units

Standard MAP Units

Part Number	Description
MAP-12V-	12 Volt DC 1.6KW delivering up to 4.5 lpm at up to 200 bars. Unit c/w relief valve, non-return valve and 5.0 litre horizontal steel reservoir.
MAP-24V-	24 Volt DC 2.2KW delivering up to 4.5 lpm at up to 230 bars. Unit c/w relief valve, non-return valve and 5.0 litre horizontal steel reservoir.
MAP-0.5KW-1P	230 Volt single phase 0.55KW delivering 1.10 lpm @ 200 bars. Unit c/w relief valve, non-return valve and 2.5 litre horizontal steel reservoir.
MAP-0.7KW-1P	230 Volt single phase 0.75KW delivering 1.6 lpm @ 250 bars. Unit c/w relief valve, non-return valve and 5.0 litre horizontal steel reservoir.
MAP-1.1KW-1P	230 Volt single phase 1.10KW delivering 3.00 lpm @ 200 bars. Unit c/w relief valve, non-return valve and 5.0 litre horizontal steel reservoir.
MAP-1.5KW-1P	230 Volt single phase 1.50KW delivering 3.70 lpm @ 200 bars. Unit c/w relief valve, non-return valve and 5.0 litre horizontal steel reservoir.
MAP-2.2KW-1P	230 Volt single phase 2.20KW delivering 4.60 lpm @ 220 bars. Unit c/w relief valve, non-return valve and 10.0 litre horizontal steel reservoir.
Additional Valves	
-LV	Lowering valve mounted into centre housing of any MAP power unit. Solenoid voltage to match electric motor supply.
-CT	Cetop 3 directional valve (double) mounted onto any MAP power unit. Solenoid voltage to match electric motor supply. Specify Cetop valve spool option -DA -DB -DC -DF.



MAP Power Units

Standard MAP Units

Part Number	Description
MAP-0.5KW-3P	415 Volt three phase 0.55KW delivering 1.10 lpm @ 200 bars. Unit c/w relief valve, non-return valve and 2.5 litre horizontal steel reservoir.
MAP-1.1KW-3P	414 Volt three phase 1.10KW delivering 3.00 lpm @ 200 bars. Unit c/w relief valve, non-return valve and 5.0 litre horizontal steel reservoir..
MAP-1.5KW-3P	414 Volt three phase 1.50KW delivering 3.70 lpm @ 200 bars. Unit c/w relief valve, non-return valve and 5.0 litre horizontal steel reservoir.
MAP-2.2KW-3P	415 Volt three phase 2.20KW delivering 4.60 lpm @ 220 bars. Unit c/w relief valve, non-return valve and 10.0 litre horizontal steel reservoir.
MAP-4.0KW-3P	415 Volt three phase 4.00KW delivering 10.80 lpm @ 210 bars. Unit c/w relief valve, non-return valve and 30.0 litre vertical steel reservoir.
MAP-5.5KW-3P-V	415 Volt three phase 5.50KW delivering 16.80 lpm @ 190 bars. Unit c/w relief valve, non-return valve and 30.0 litre vertical steel reservoir.
Additional Valves	
-LV	Lowering valve mounted into centre housing of any MAP power unit. Solenoid voltage to match electric motor supply.
-CT	Cetop 3 directional valve (double) mounted onto any MAP power unit. Solenoid voltage to match EM supply. Please specify spool option -DA -DB -DC -DF.



MAP Power Units

Application Examples

